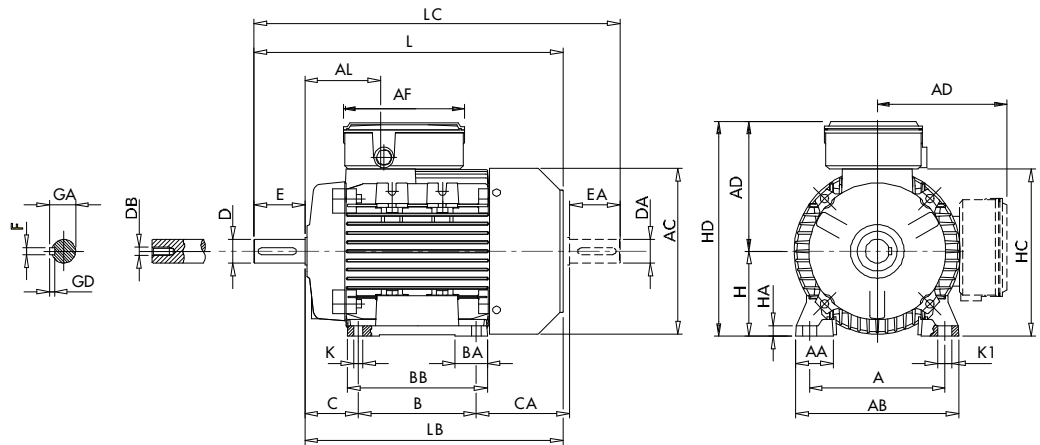


SINGLE-PHASE FRAME SIZE 56 - 100 IM B3

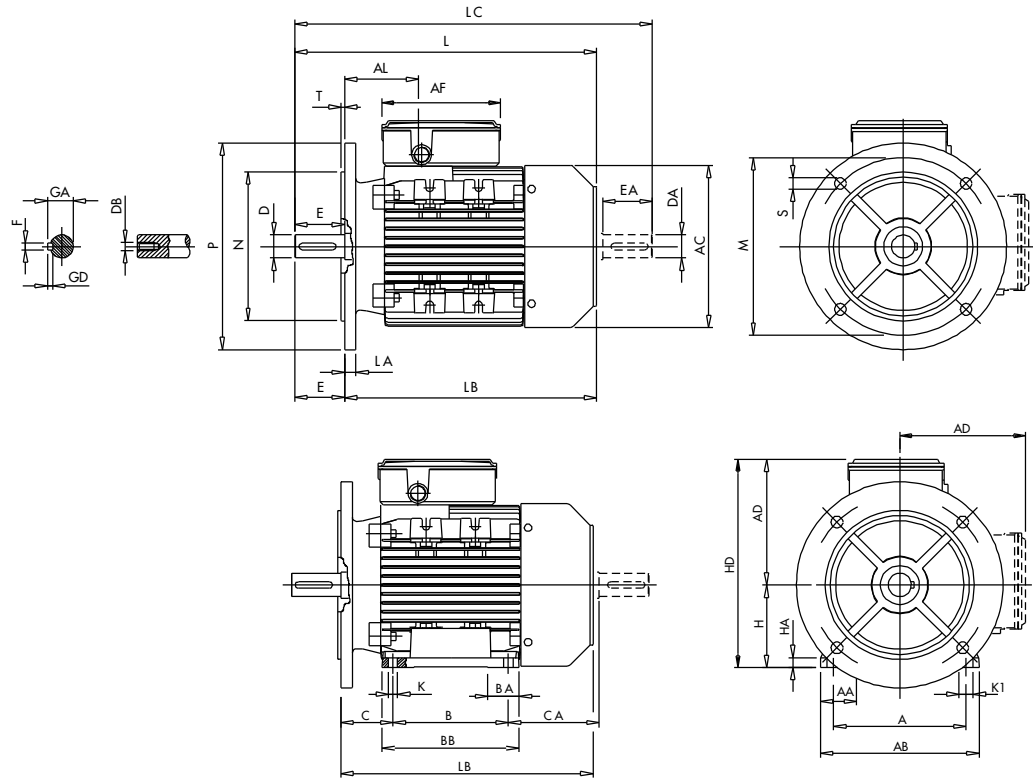


IEC	H	A	B	C	K ¹⁾	AB	BB	CA	AD ²⁾	HD ²⁾	AC	HC	HA	K1
56	56	90	71	36	6	107	86	64	116	172	110	109	8	9
63	63	100	80	40	7	120	100	72	120	183	124	120	8	11
71	71	112	90	45	8	135	108	83	134	205	139	142	9	11
80	80	125	100	50	10	153	125	89	150	230	160	162	9.5	14
90S	90	140	100	56	10	170	150	116	160	250	180	181	11	15
90L	90	140	125	56	10	170	150	91	160	250	180	181	11	15
100	100	160	140	63	11	192	166	110	166	266	196	198	12	17

IEC	L	LB	LC	AL	AF	BA	AA	D/DA	E/EA	F/FA	GD	GA/GC	DB ³⁾
56	188	168	211	61	147	27	27	9 ∅	20	3	3	10.2	M3
63	211	188	238	63	147	29	30	11 ∅	23	4	4	12.5	M4
71	246	216	278	69	147	28	31	14 ∅	30	5	5	16	M5
80	272	232	319	79	173	28.5	34.5	19 ∅	40	6	6	21.5	M6
90S	317	267	372	85	173	28/53	37	24 ∅	50	8	7	27	M8
90L	317	267	372	85	173	28/53	37	24 ∅	50	8	7	27	M8
100	366	306	433	91	173	38	44	28 ∅	60	8	7	31	M10

- 1) Clearance hole for screw
- 2) Maximum dimension
- 3) Centering holes in shaft extensions to DIN 332 part 2

SINGLE-PHASE FRAME SIZE 56 - 100 IM B5, IM B35, IM V1

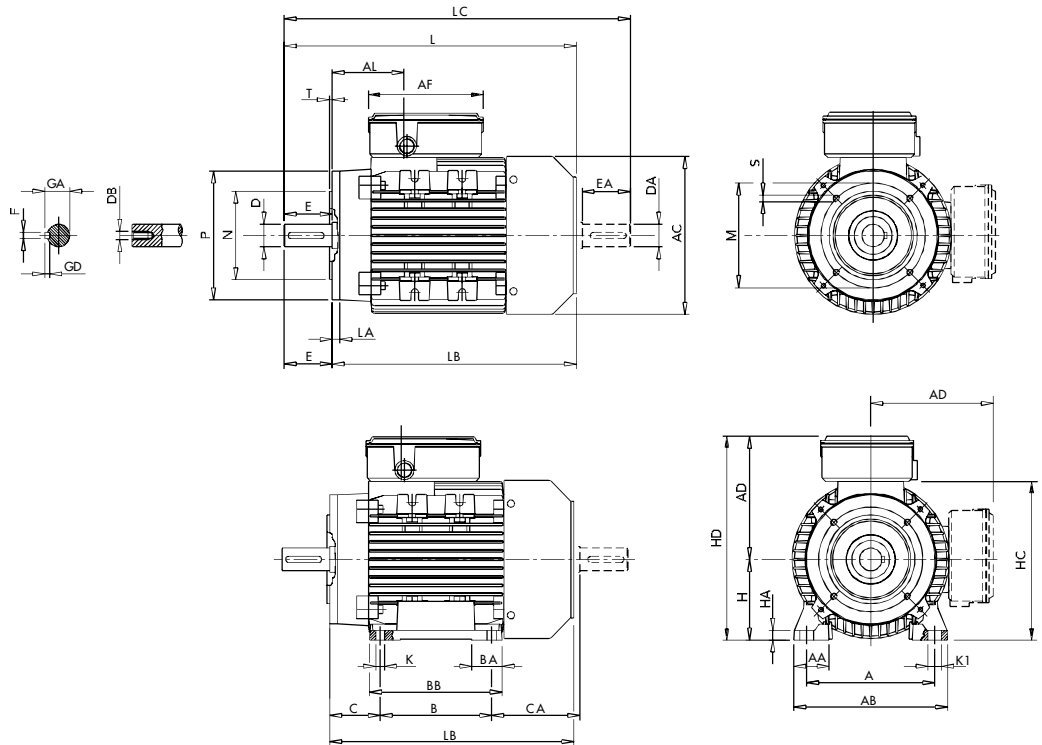


IEC	M	N	P	T	LA	S	H	A	B	C	K ¹⁾	CA	BB	AA	AB	BA
56	100	80	120	2.5	7	7	56	90	71	36	6	64	86	27	107	27
63	115	95	140	3	8	9.5	63	100	80	40	7	72	100	30	120	29
71	130	110	160	3.5	10	9.5	71	112	90	45	8	83	108	31	135	28
80	165	130	200	3.5	10	11.5	80	125	100	50	10	89	125	34.5	153	28.5
90S	165	130	200	3.5	12	11.5	90	140	100	56	10	116	150	37	170	28/53
90L	165	130	200	3.5	12	11.5	90	140	125	56	10	91	150	37	170	28/53
100	215	180	250	4	14	14	100	160	140	63	11	110	166	44	192	38

IEC	AD ²⁾	HD ²⁾	AC	HA	K1	L	LB	LC	AL	AF	D/DA	E/EA	F/FA	GD	GA/GC	DB ³⁾
56	116	172	110	8	9	188	168	211	61	147	9 \otimes	20	3	3	10.2	M3
63	120	183	124	8	11	211	188	238	63	147	11 \otimes	23	4	4	12.5	M4
71	134	205	139	9	11	246	216	278	69	147	14 \otimes	30	5	5	16	M5
80	150	230	160	9.5	14	272	232	319	79	173	19 \otimes	40	6	6	21.5	M6
90S	160	250	180	11	15	317	267	372	85	173	24 \otimes	50	8	7	27	M8
90L	160	250	180	11	15	317	267	372	85	173	24 \otimes	50	8	7	27	M8
100	166	266	196	12	17	366	306	433	91	173	28 \otimes	60	8	7	31	M10

- 1) Clearance hole for screw
- 2) Maximum dimension
- 3) Centering holes in shaft extensions to DIN 332 part 2

SINGLE-PHASE FRAME SIZE 56 - 100 IM B14, IM B34



SMALL FLANGE							LARGE FLANGE													
IEC	P	N	LA	M	T	S	P	N	LA	M	T	S	L	LB	LC	AL	AF	D/DA	E/EA	F/FA
56	80	50	8	65	2.5	M5	105	70	8	85	2.5	M6	188	168	211	61	147	96	20	3
63	90	60	8	75	2.5	M5	120	80	8	100	2.5	M6	211	188	238	63	147	116	23	4
71	105	70	8	85	2.5	M6	140	95	8	115	3	M8	246	216	278	69	147	146	30	5
80	120	80	9	100	3	M6	160	110	8.5	130	3.5	M8	272	232	319	79	173	196	40	6
90S	140	95	9	115	3	M8	160	110	9	130	3.5	M8	317	267	372	85	173	246	50	8
90L	140	95	9	115	3	M8	160	110	9	130	3.5	M8	317	267	372	85	173	246	50	8
100	160	110	10	130	3.5	M8	200	130	12	165	3.5	M10	366	306	433	91	173	286	60	8

IEC	GD	GA/GC	DB ³⁾	H	A	B	C	K ¹⁾	AB	BB	AA	BA	CA	AD ²⁾	HD ²⁾	AC	HC	HA	K1
56	3	10.2	M3	56	90	71	36	6	107	86	27	27	64	116	172	110	109	8	9
63	4	12.5	M4	63	100	80	40	7	120	100	30	29	72	120	183	124	120	8	11
71	5	16	M5	71	112	90	45	8	135	108	31	28	83	134	205	139	142	9	11
80	6	21.5	M6	80	125	100	50	10	153	125	34.5	28.5	89	150	230	160	162	9.5	14
90S	7	27	M8	90	140	100	56	10	170	150	37	28/53	116	160	250	180	181	11	15
90L	7	27	M8	90	140	125	56	10	170	150	37	28/53	91	160	250	180	181	11	15
100	7	31	M10	100	160	140	63	11	192	166	44	38	110	166	266	196	198	12	17

1) Clearance hole for screw

2) Maximum dimension

3) Centering holes in shaft extensions to DIN 332 part 2