

ECE

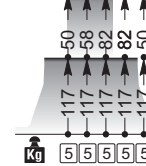
Input Version

ECR

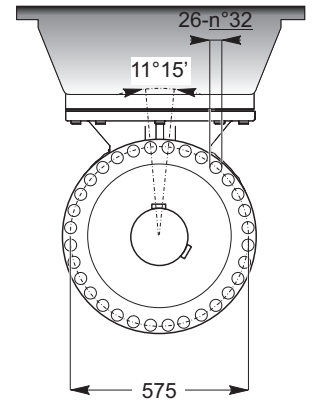
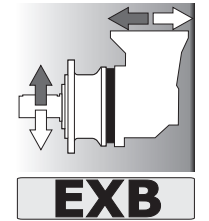
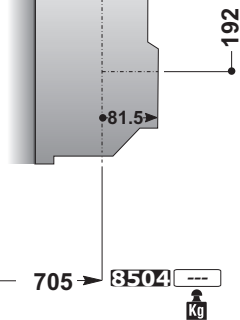
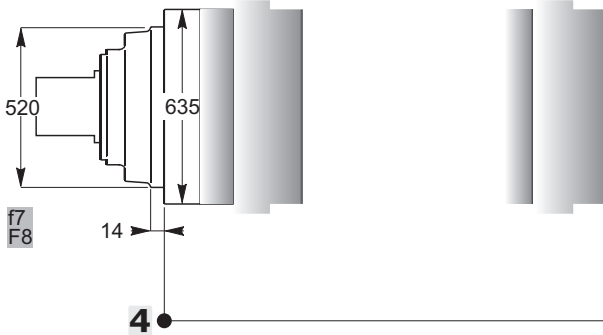
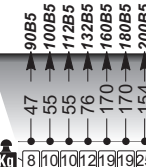
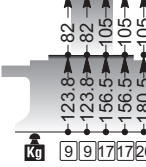
IEC

4 Input Shaft

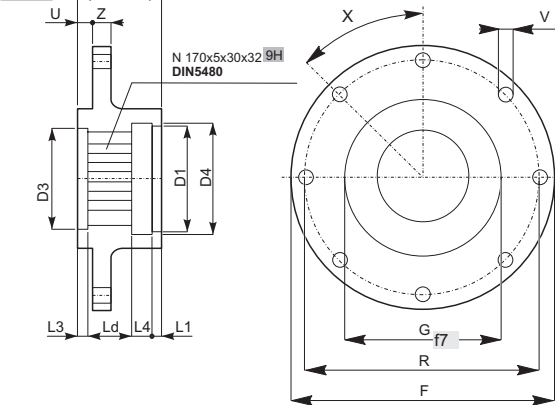
ECE 1 2 3 4 5



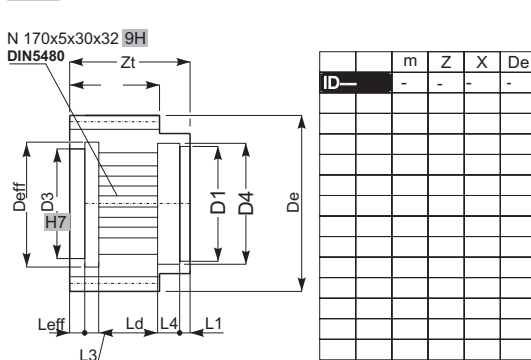
ECR 0 1 2 3 4



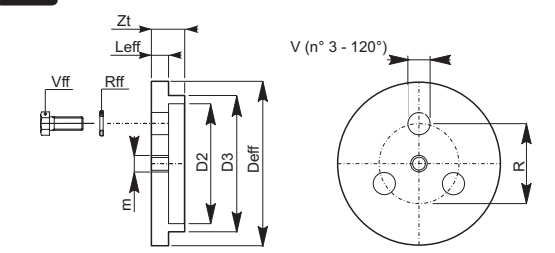
FD



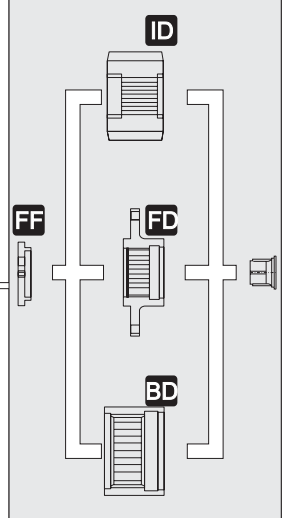
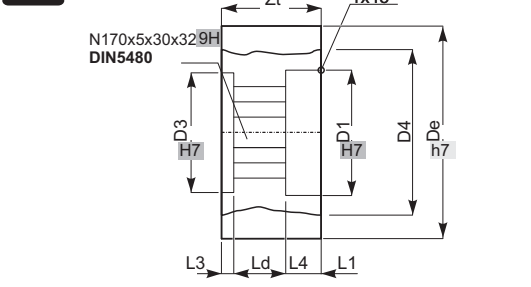
ID



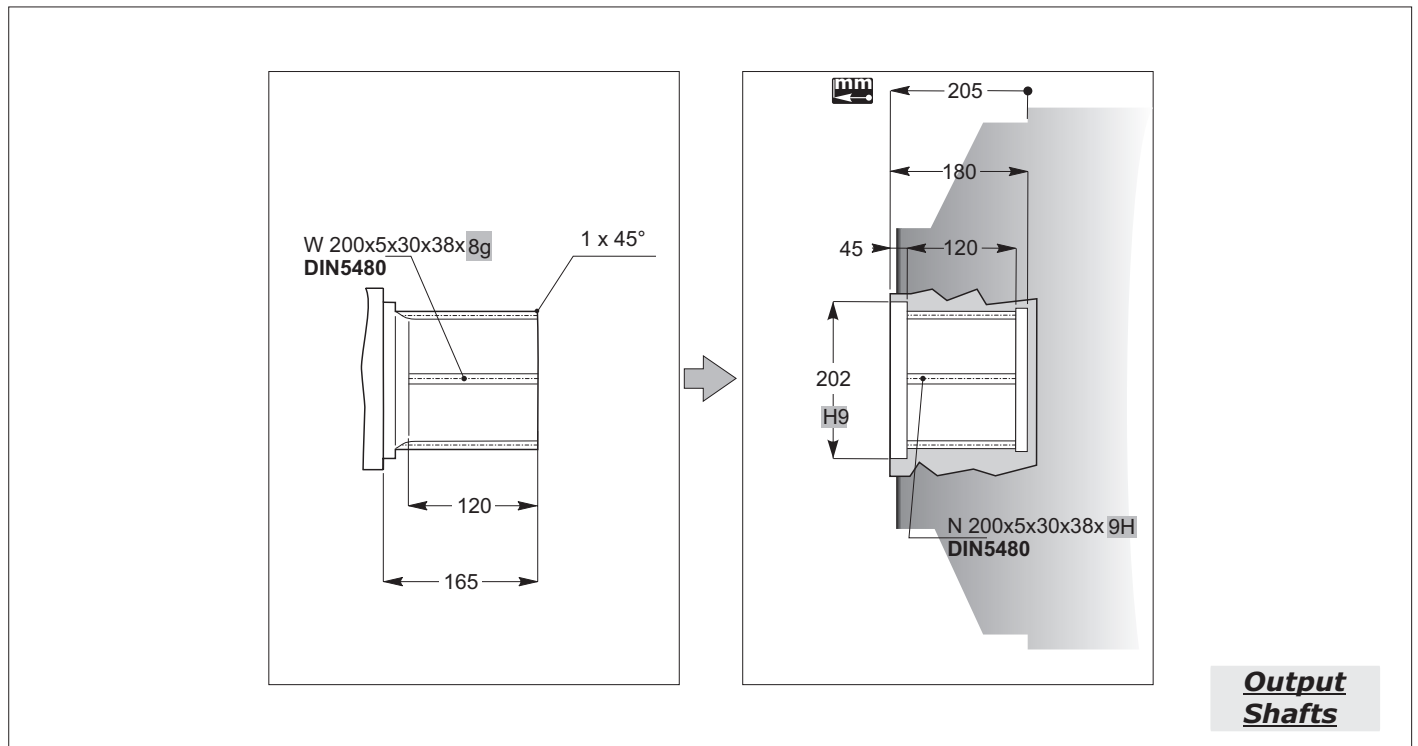
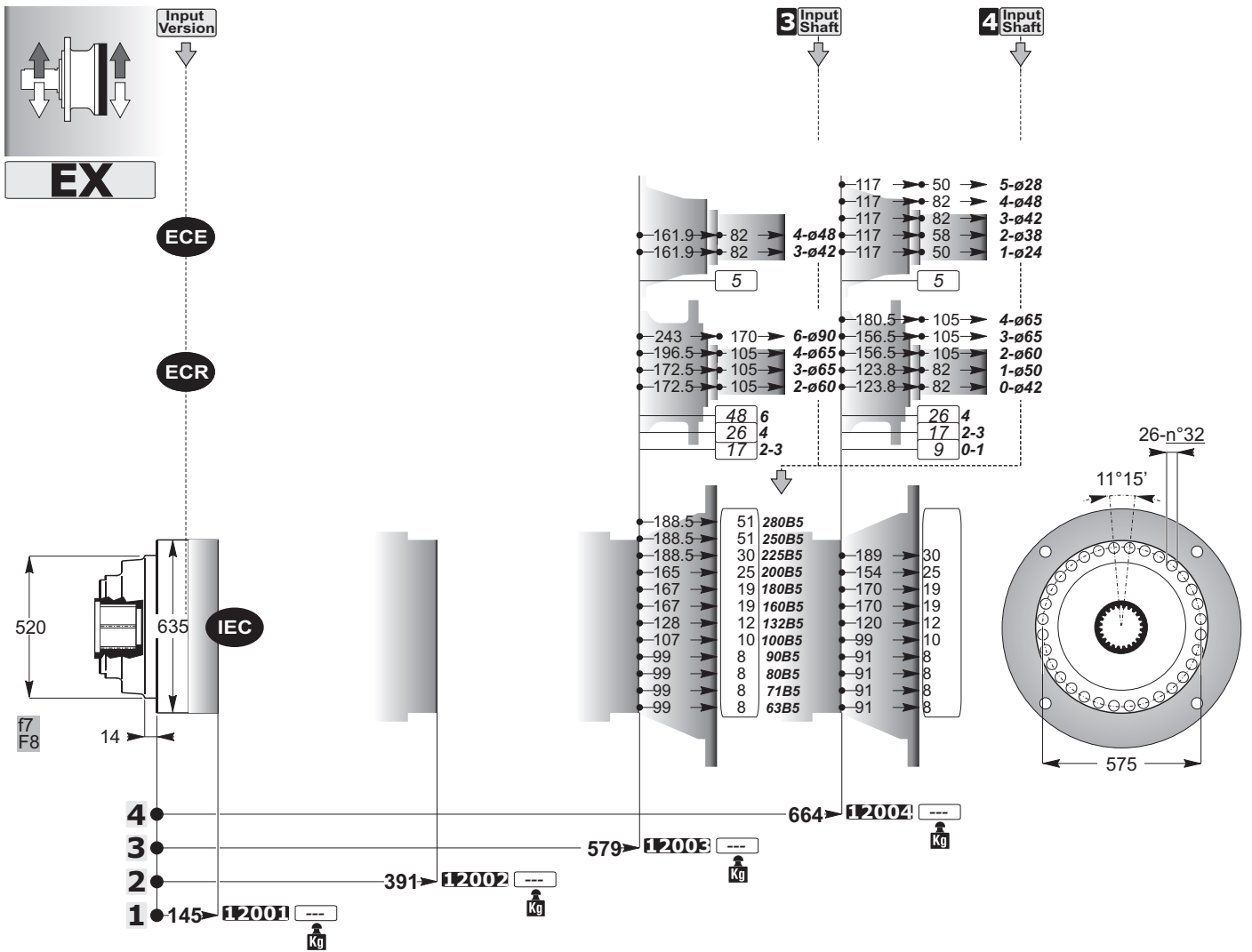
FF



BD



Accessories



**ECE**

**4** Input Shaft

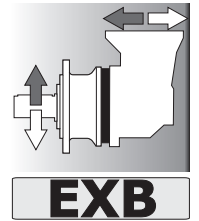
ECE 1 2 3 4 5

Input Version

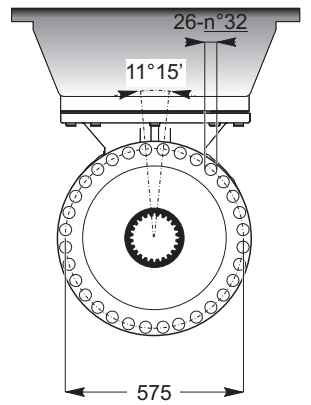
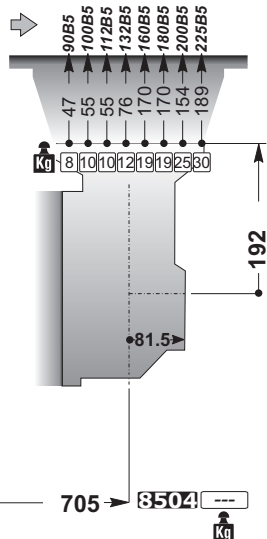
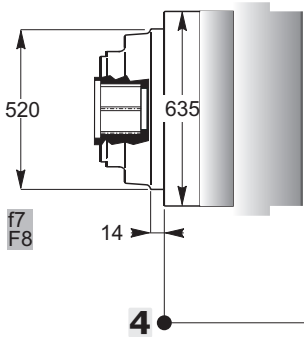
**ECR**

ECR 0 1 2 3 4

**IEC**

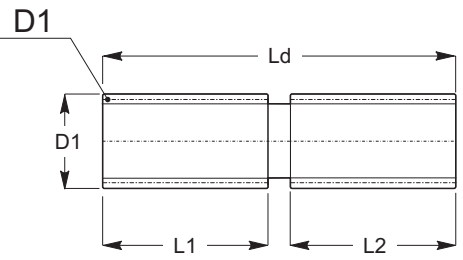


**EXB**



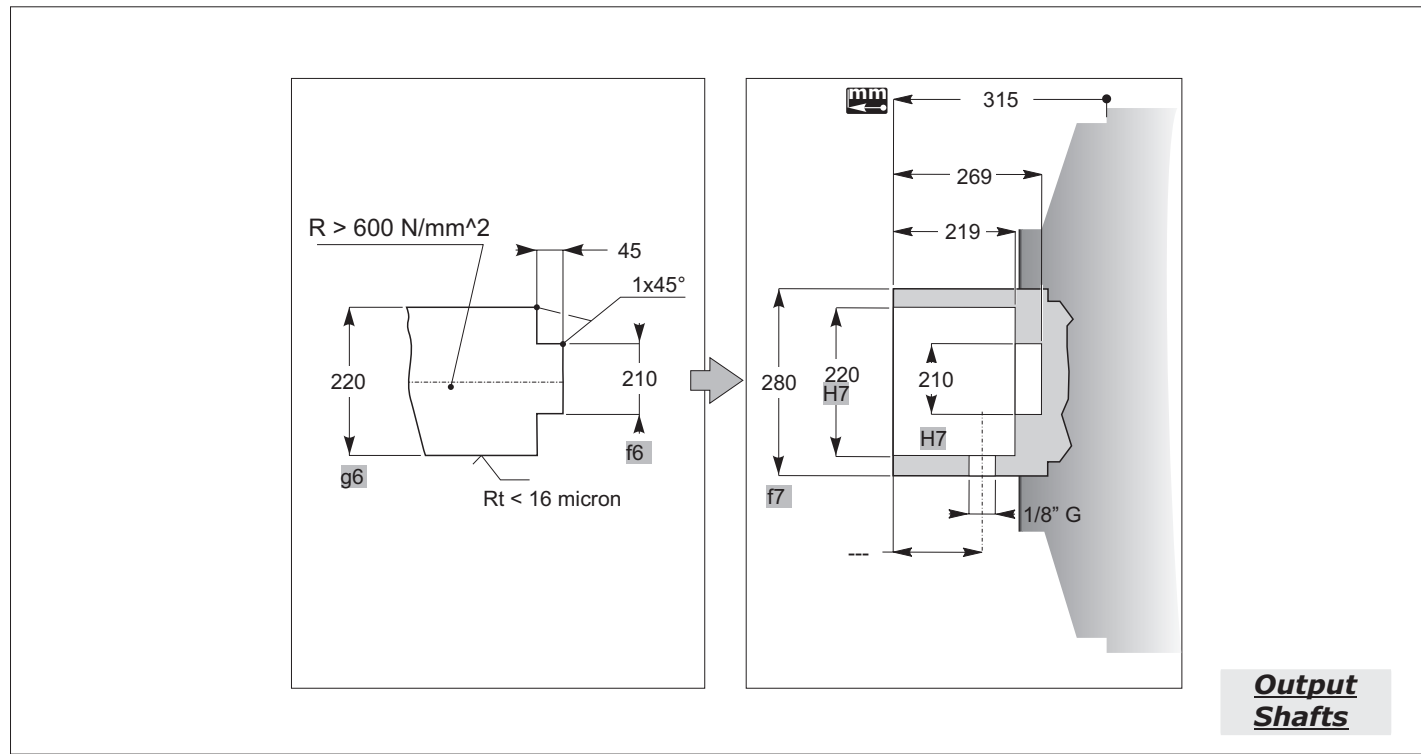
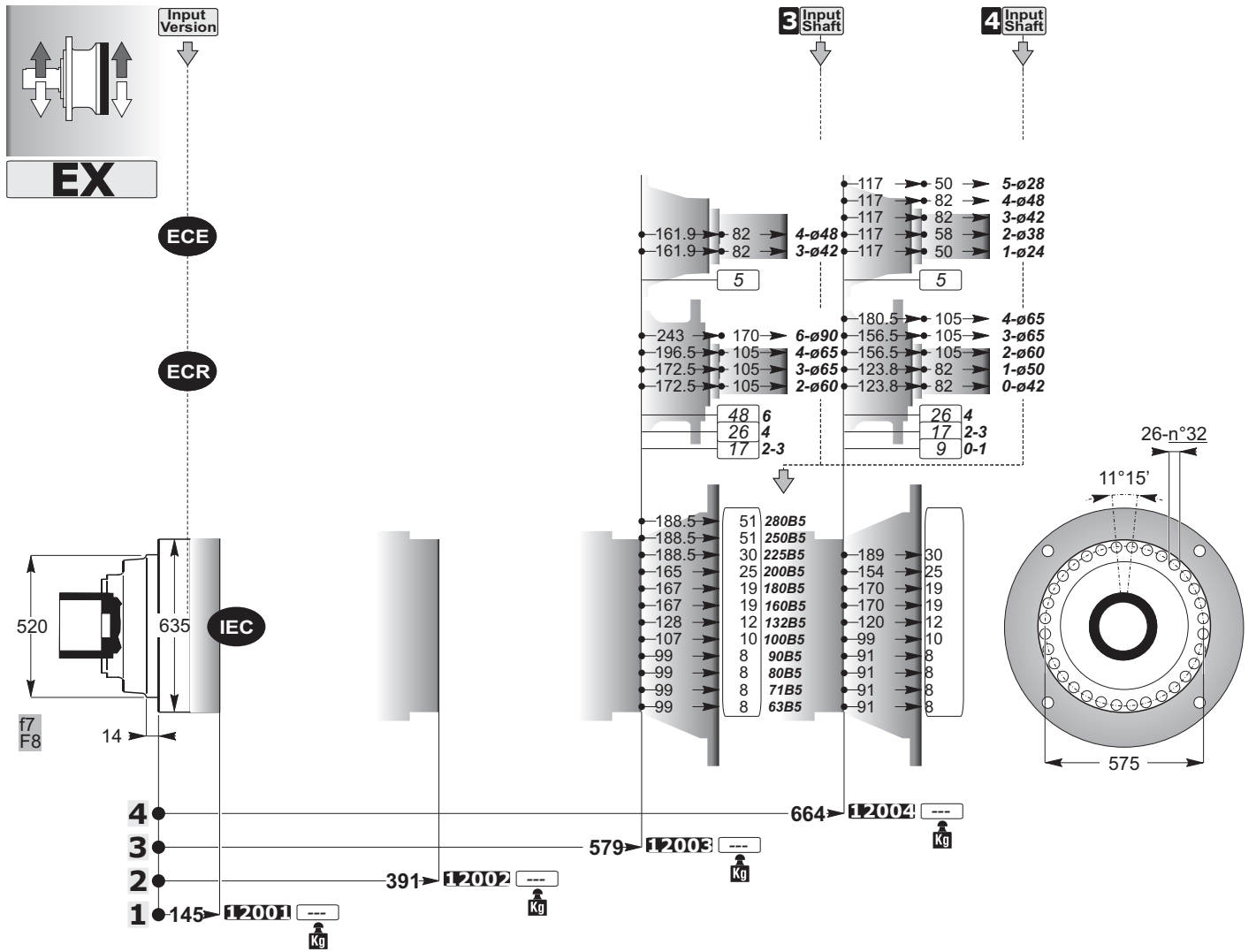
**C**

**SD**



**SD**

**Accessories**



ECE

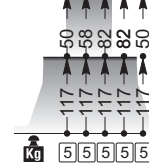
Input Version

ECR

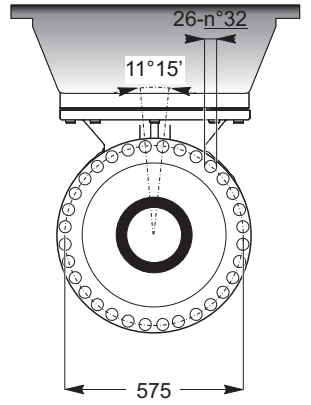
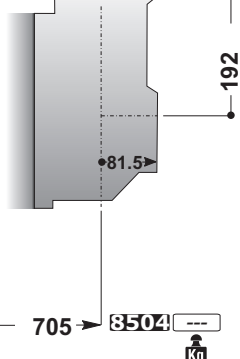
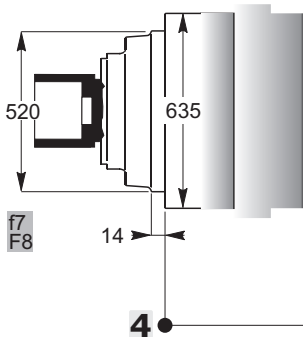
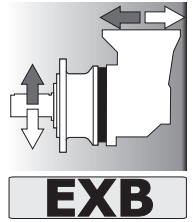
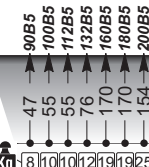
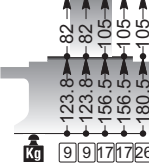
IEC

4 Input Shaft

ECE 1 2 3 4 5

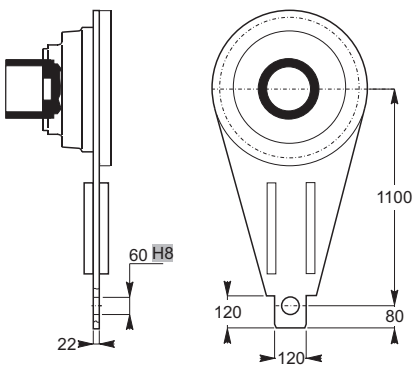


ECR 0 1 2 3 4

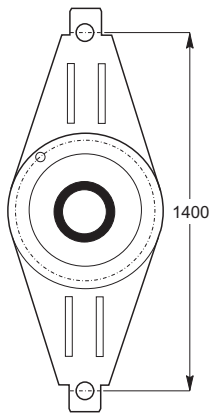


C

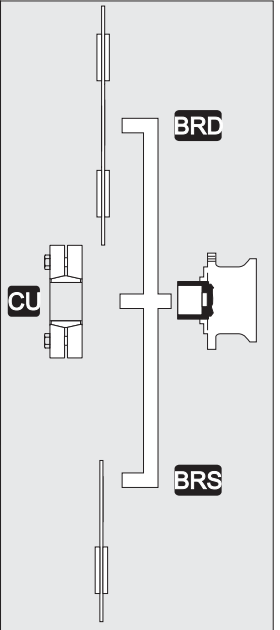
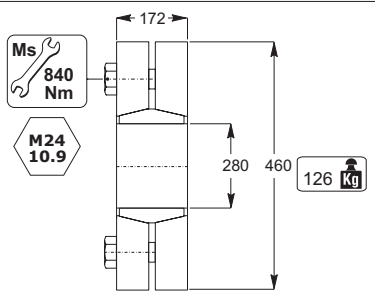
BRS



BRD



CU



Accessories

