

ECE

4 Input Shaft →

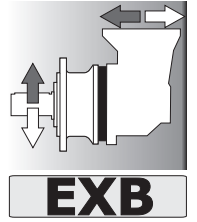
Input Version

ECR

IEC

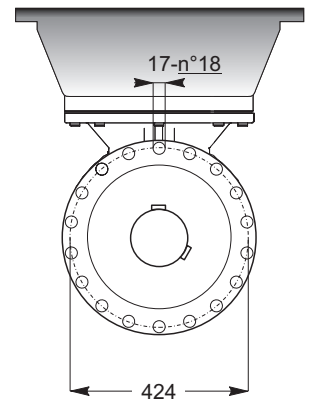
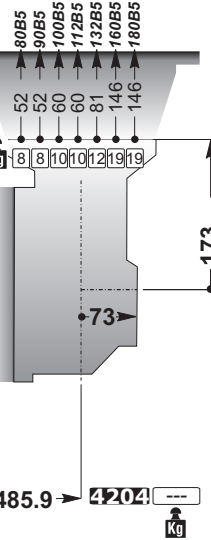
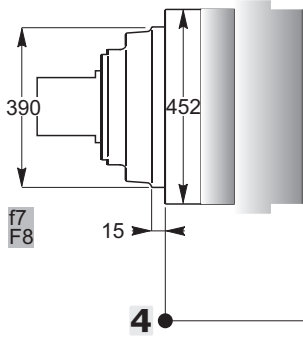
ECE 1 2 5

ECR 0 1 2 3

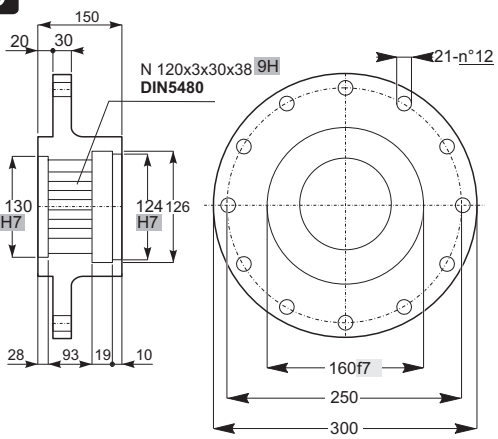


EXB

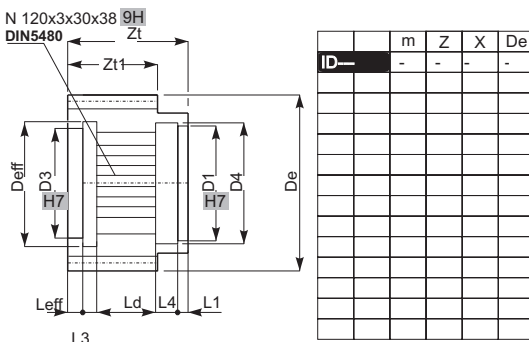
C



FD

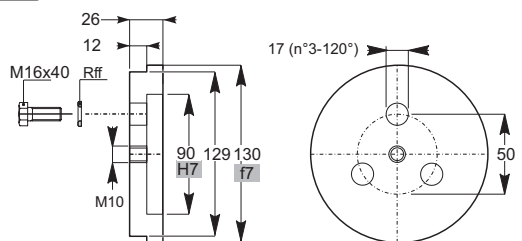


ID

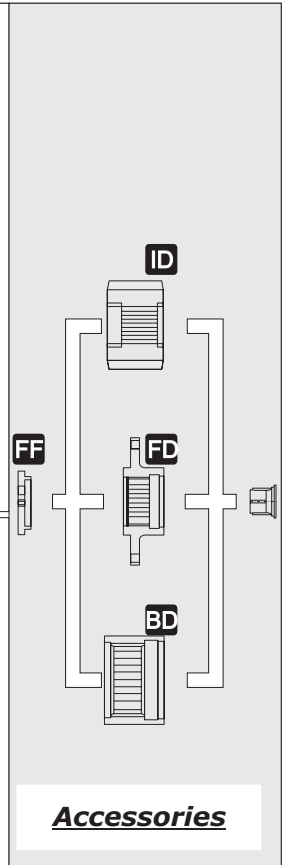
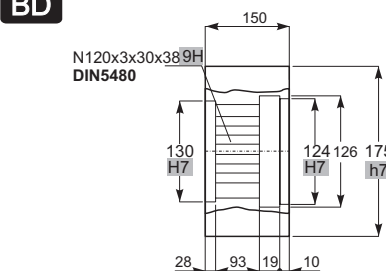


ID	m	Z	X	De
-	-	-	-	-

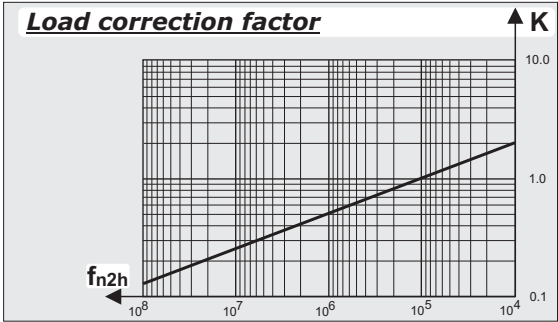
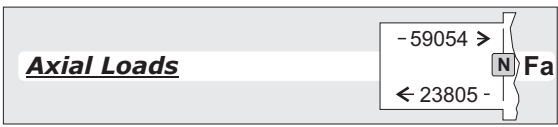
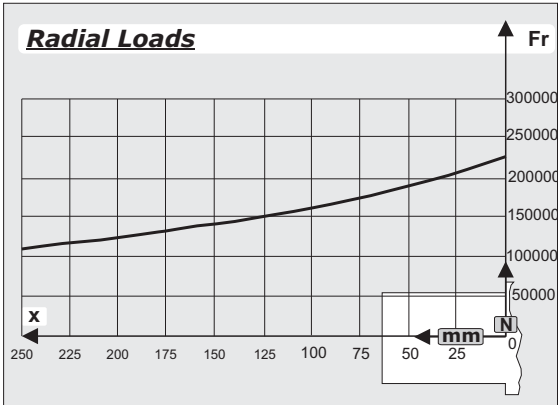
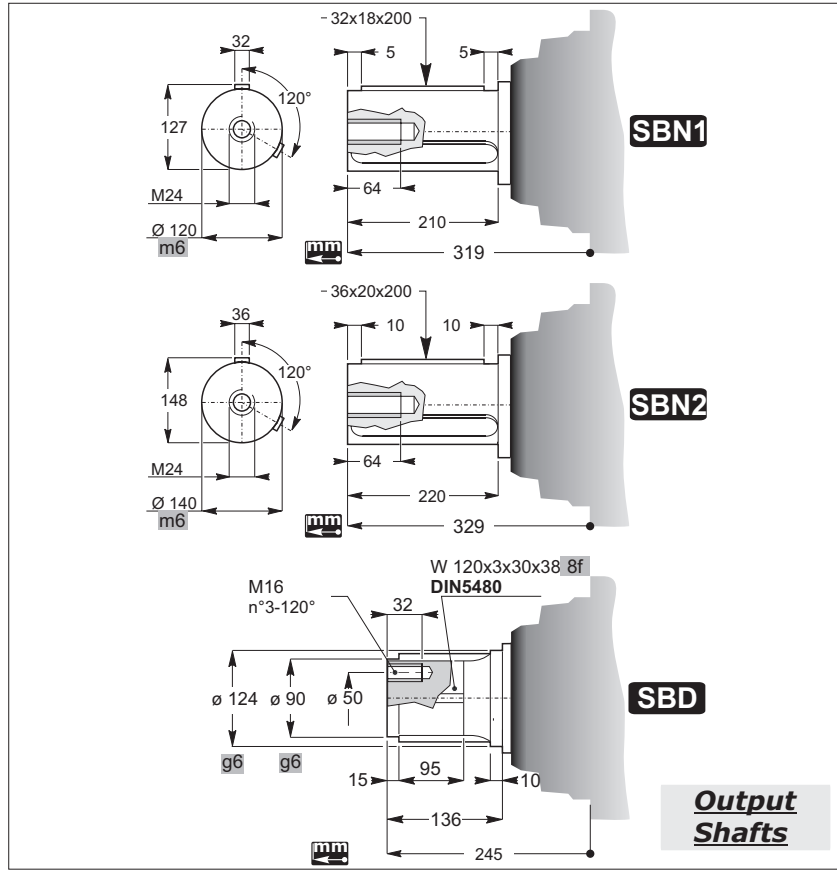
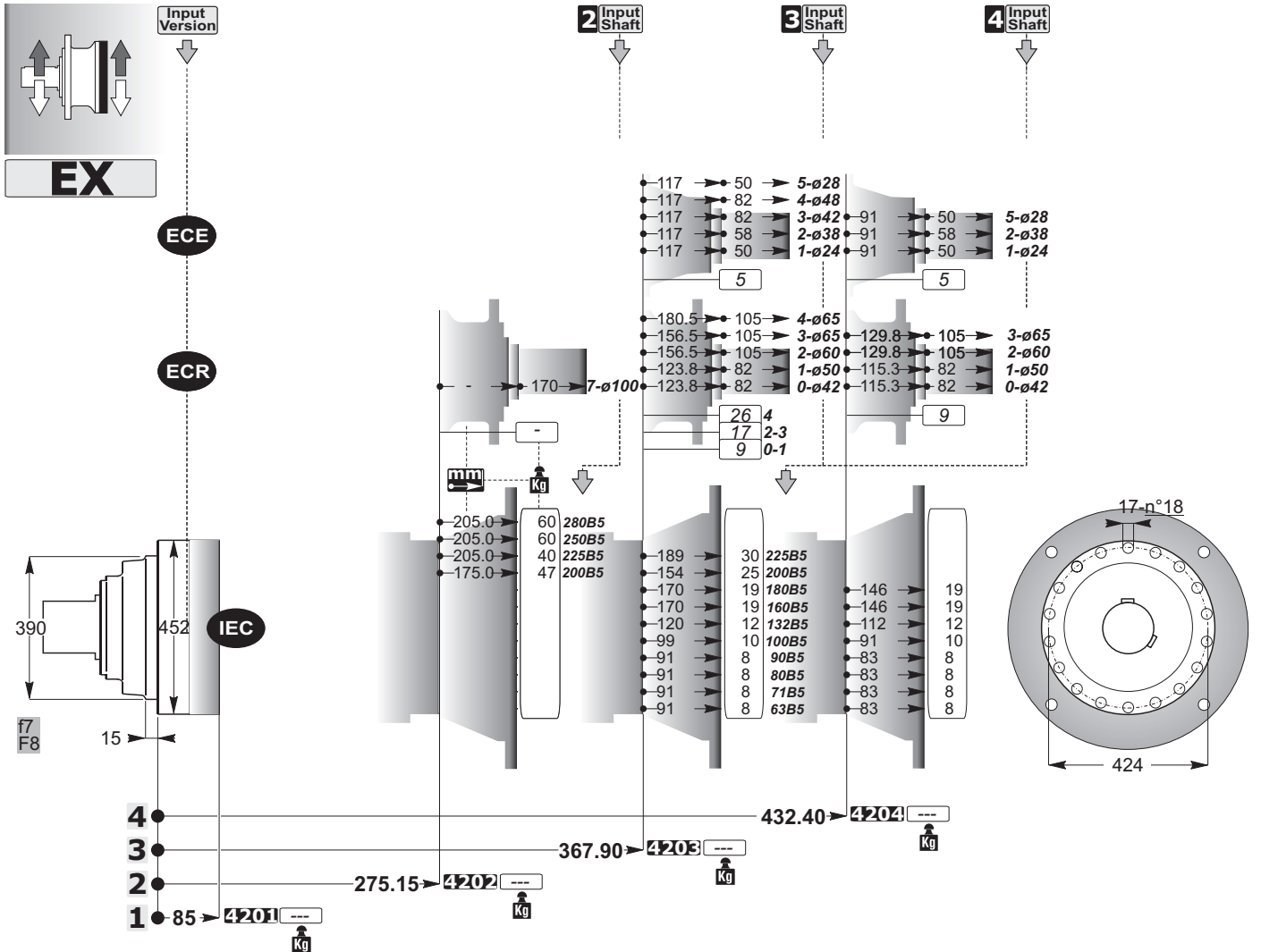
FF



BD



Accessories



ECE

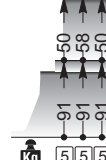
Input Version

ECR

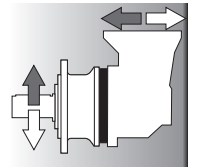
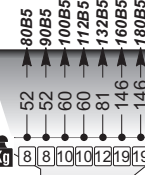
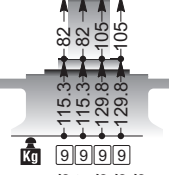
IEC

4 Input Shaft →

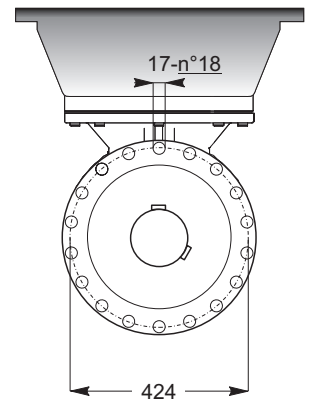
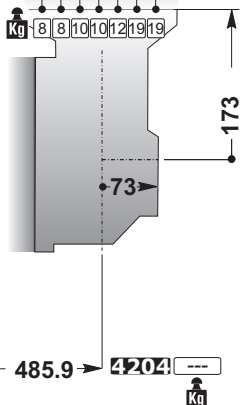
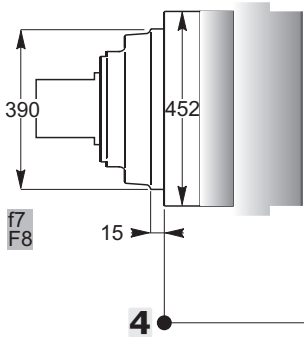
ECE 1 2 5



→ **ECR 0 1 2 3**

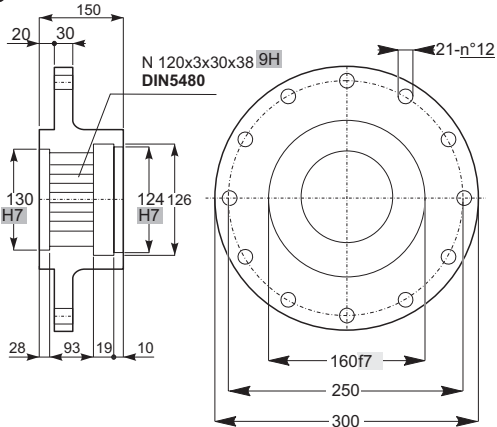


EXB

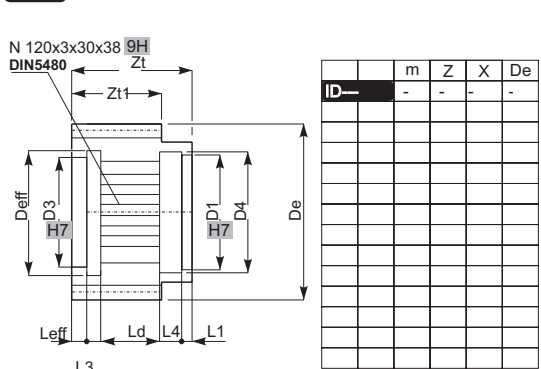


C

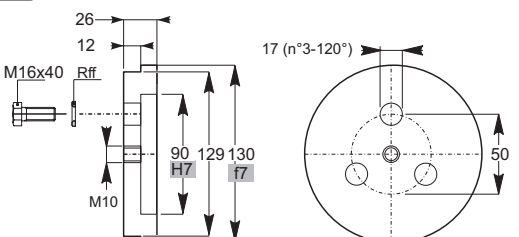
FD



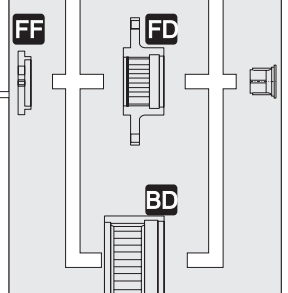
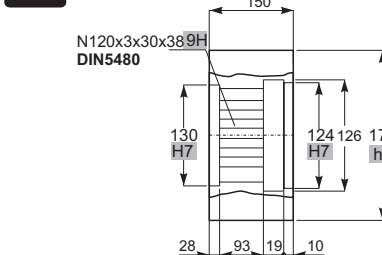
ID



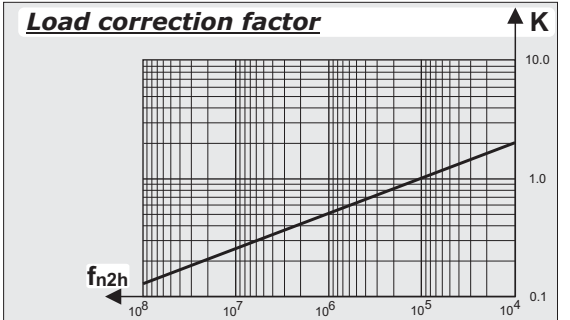
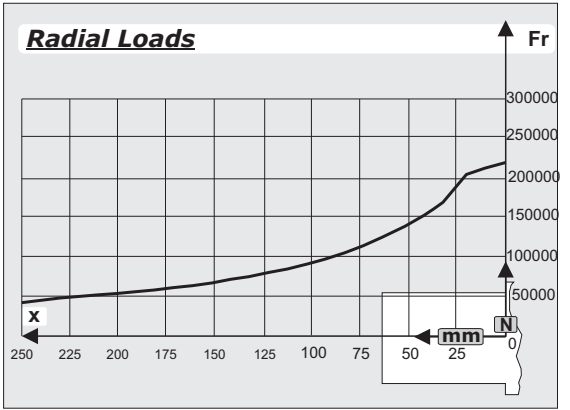
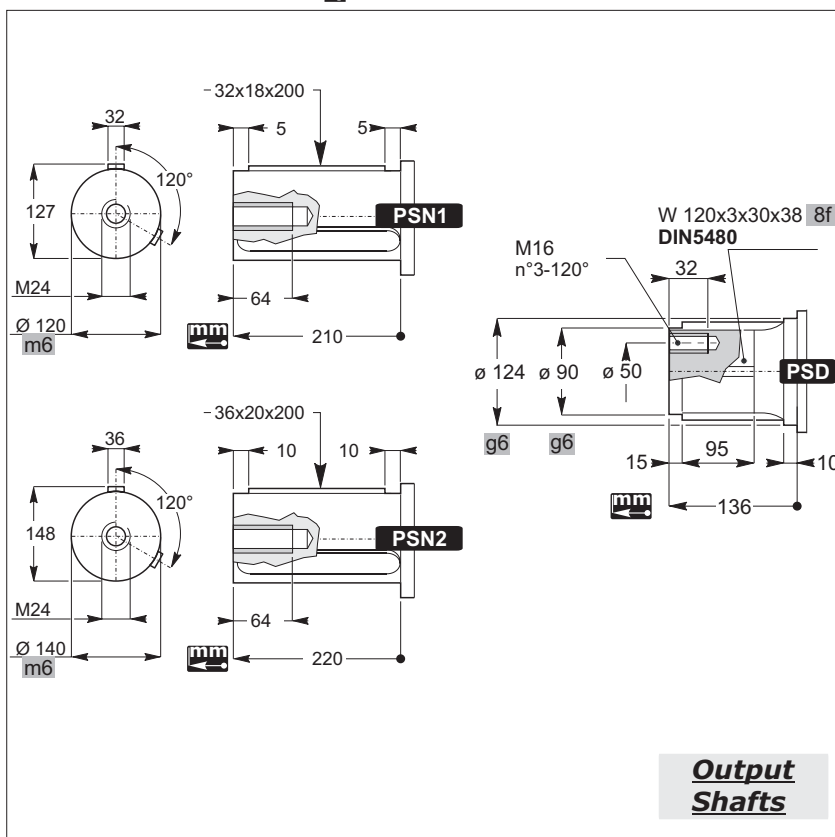
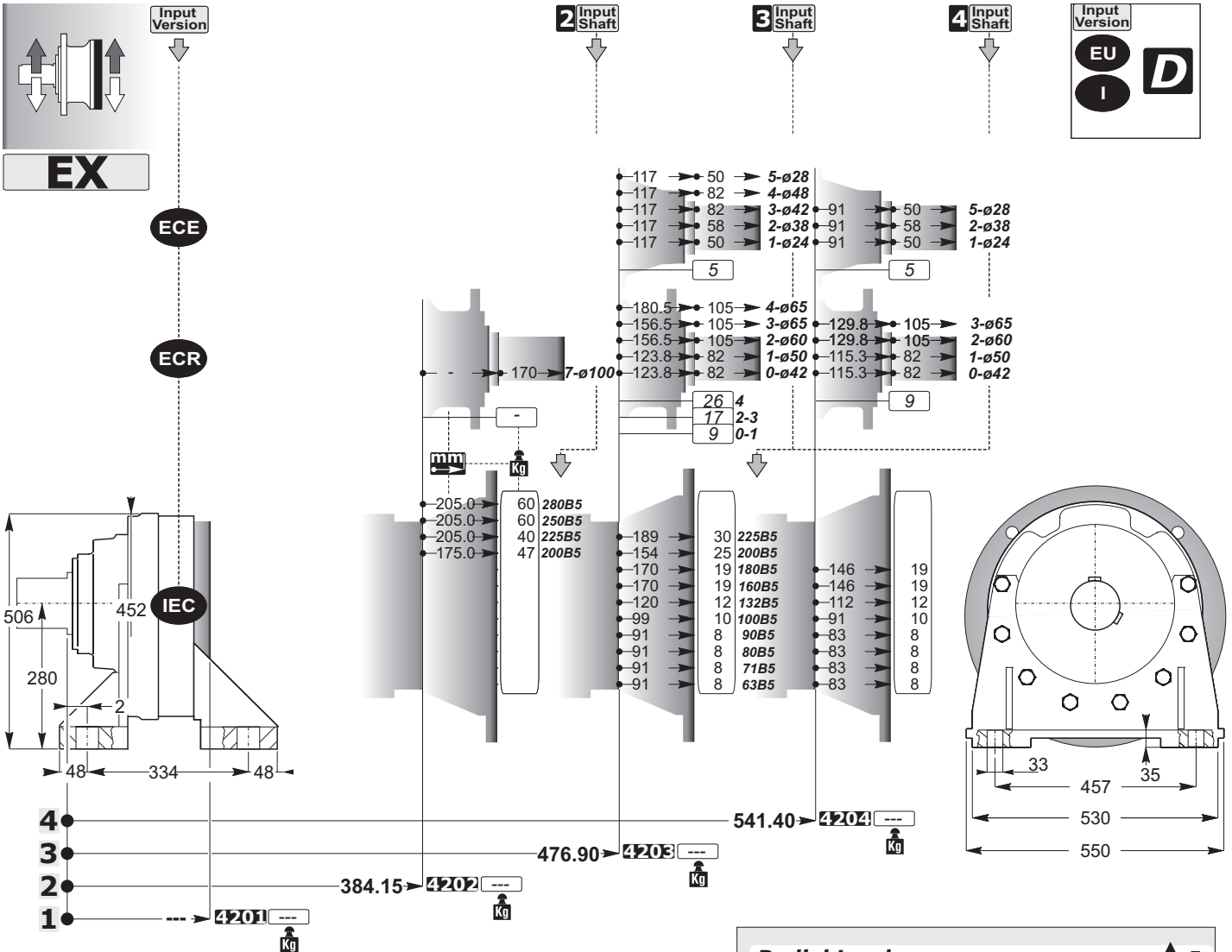
FF



BD



Accessories



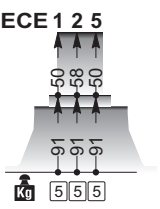
ECE

Input Version

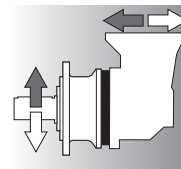
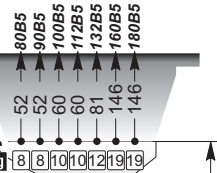
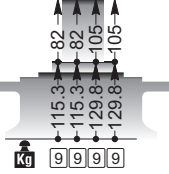
ECR

IEC

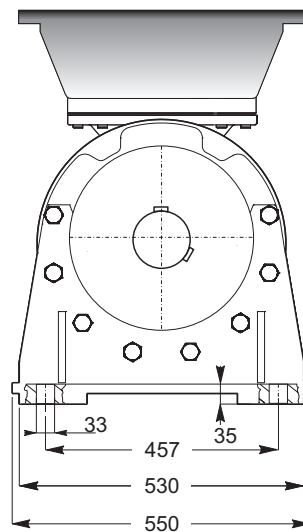
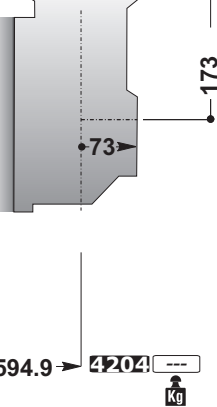
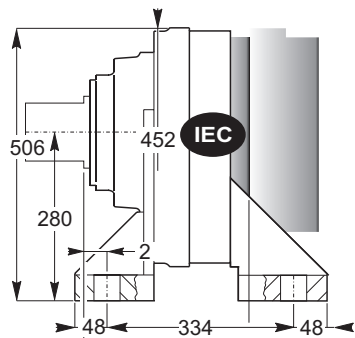
4 Input Shaft → ECE 1 2 5



ECR 0 1 2 3

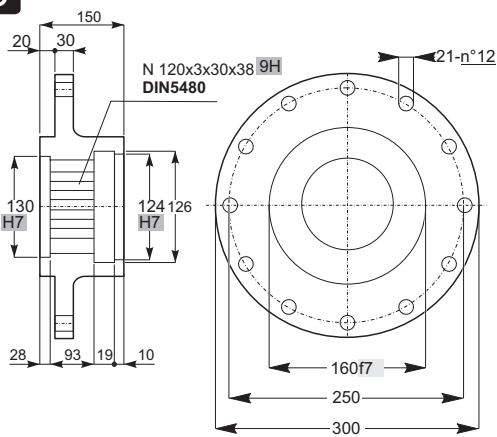


EXB

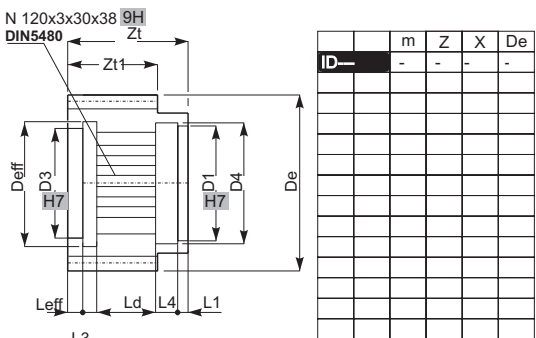


C

FD

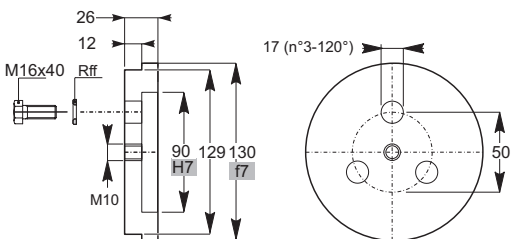


ID

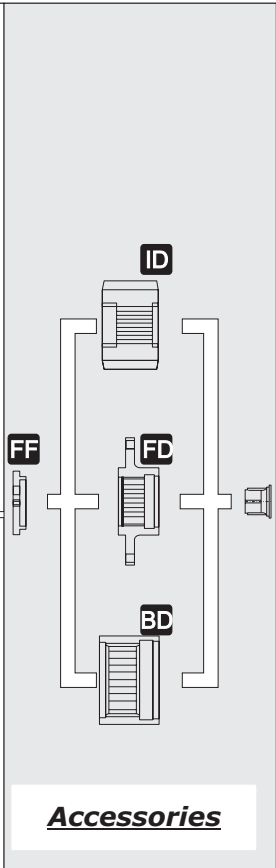
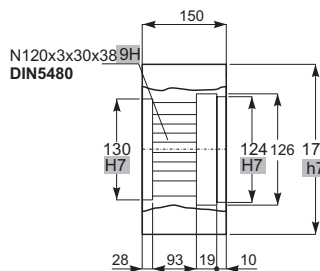


ID	m	Z	X	De
-	-	-	-	-

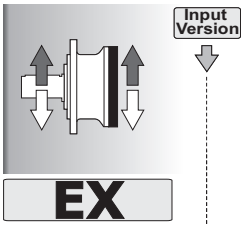
FF



BD



Accessories



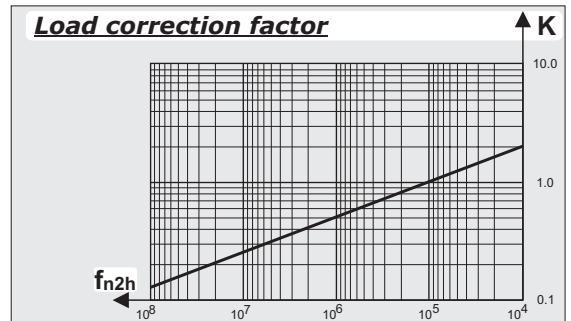
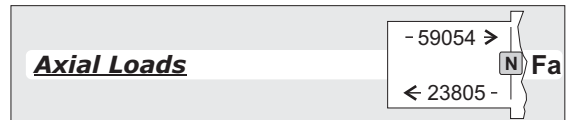
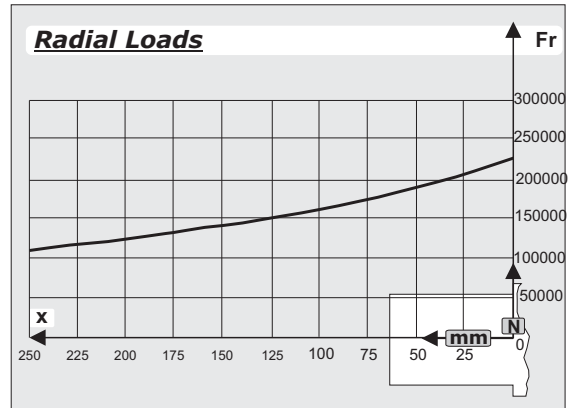
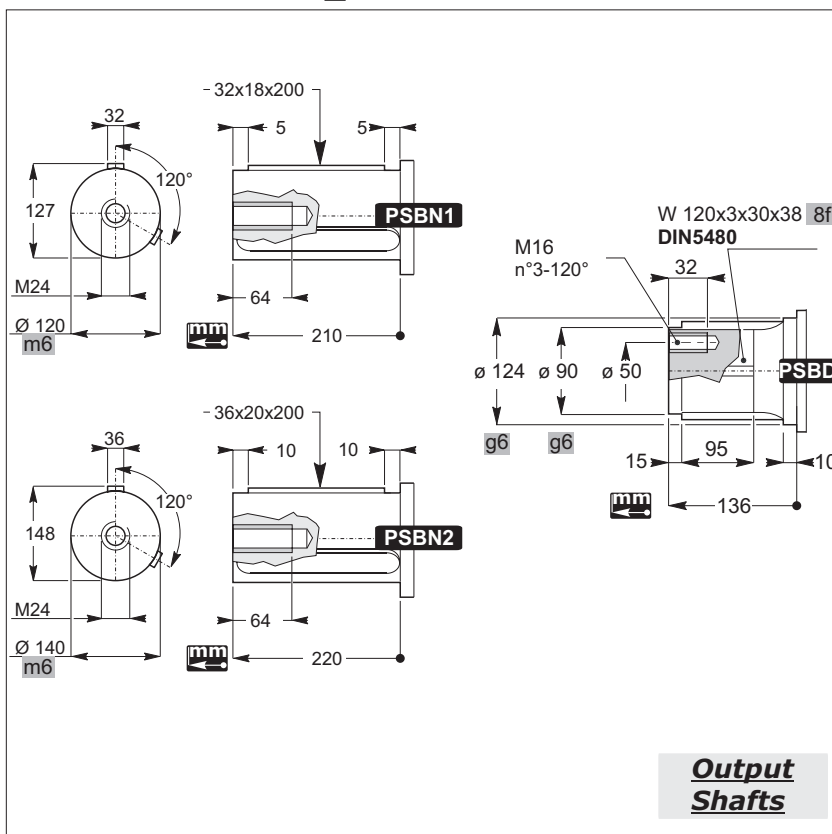
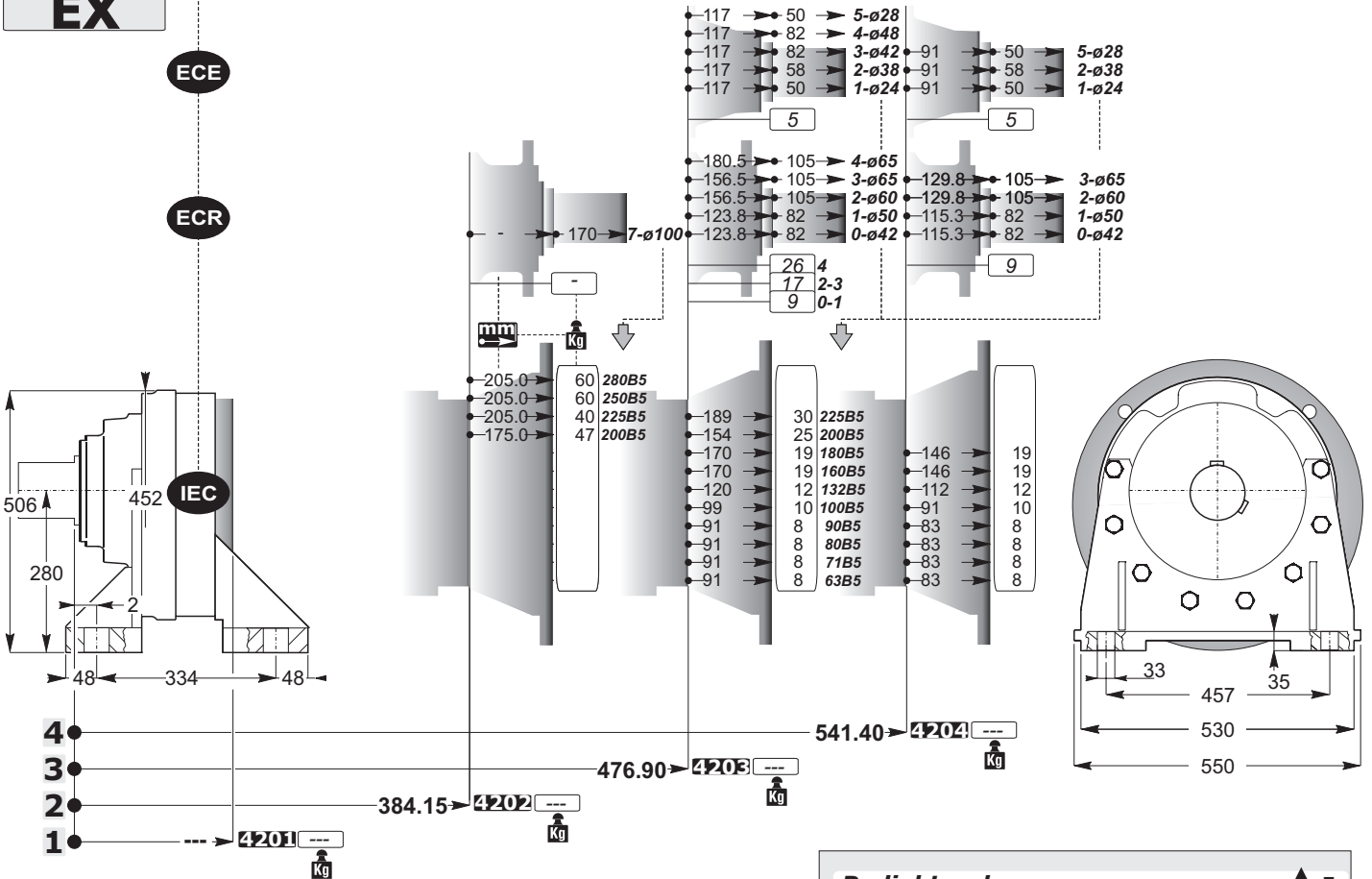
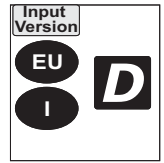
ECE

ECR

2 Input Shaft

3 Input Shaft

4 Input Shaft



ECE

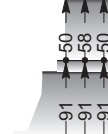
Input Version

ECR

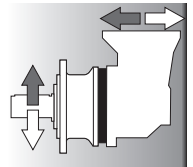
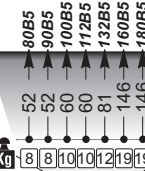
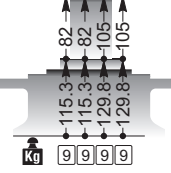
IEC

4 Input Shaft

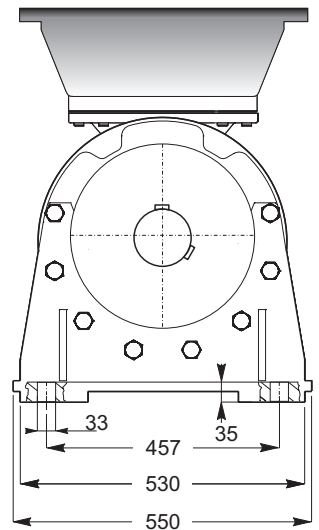
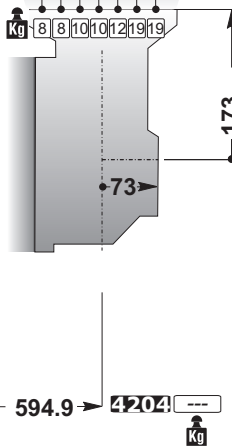
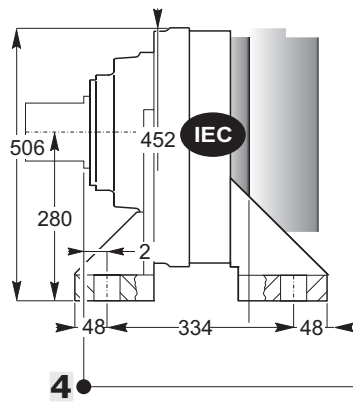
ECE 1 2 5



ECR 0 1 2 3

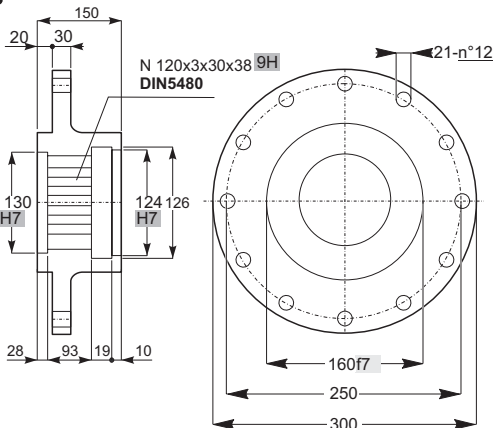


EXB

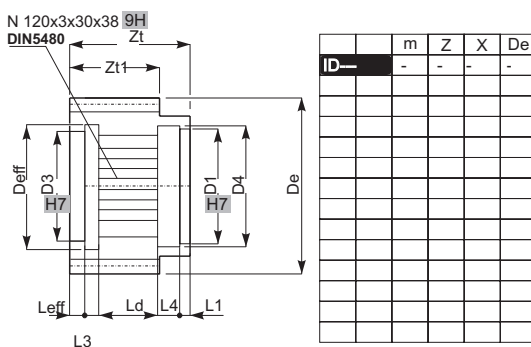


C

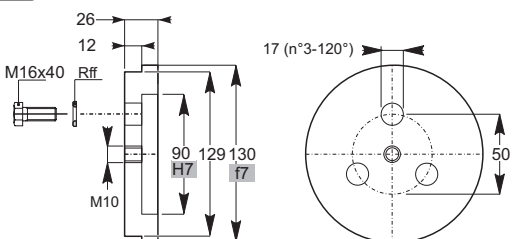
FD



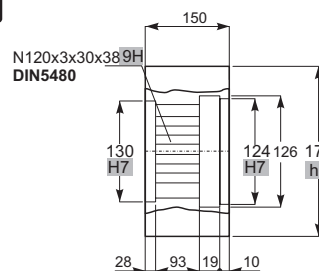
ID



FF



BD

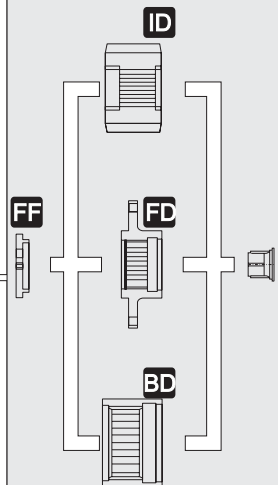


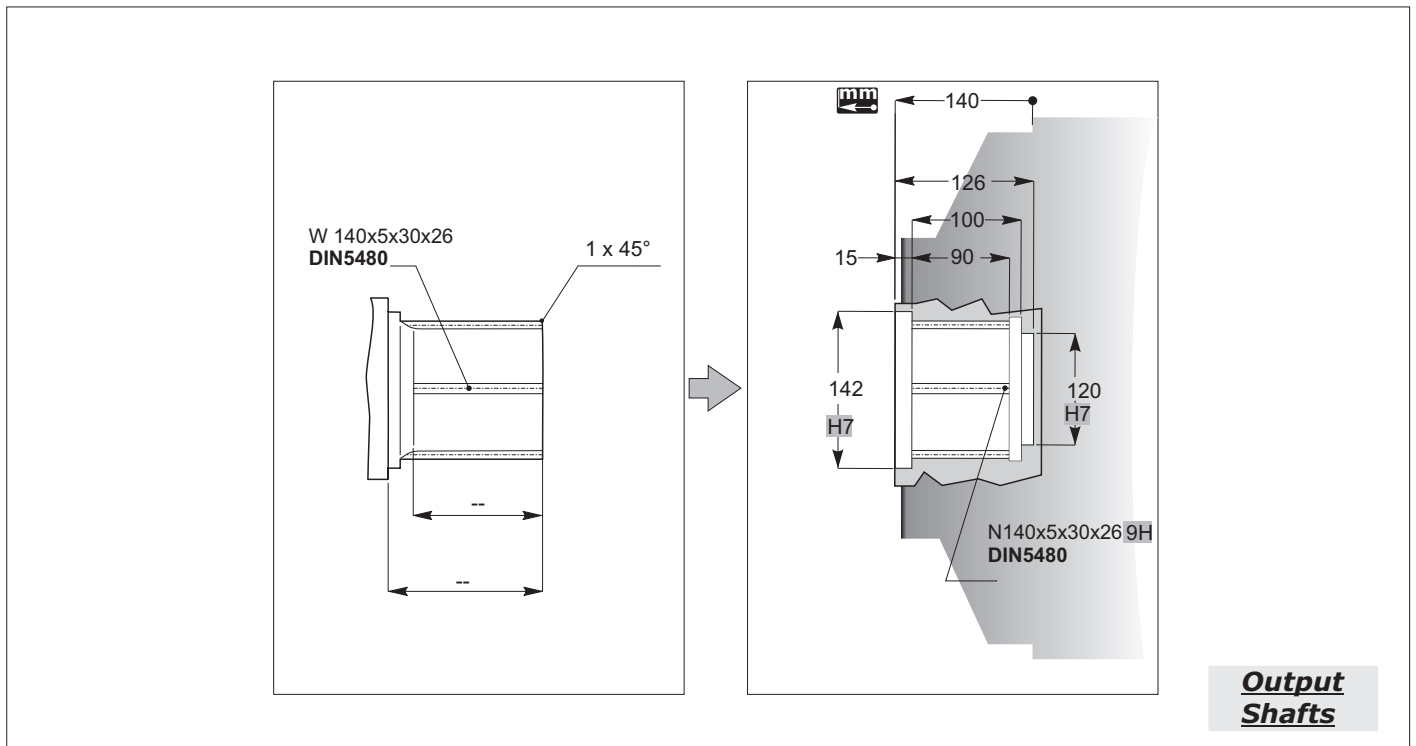
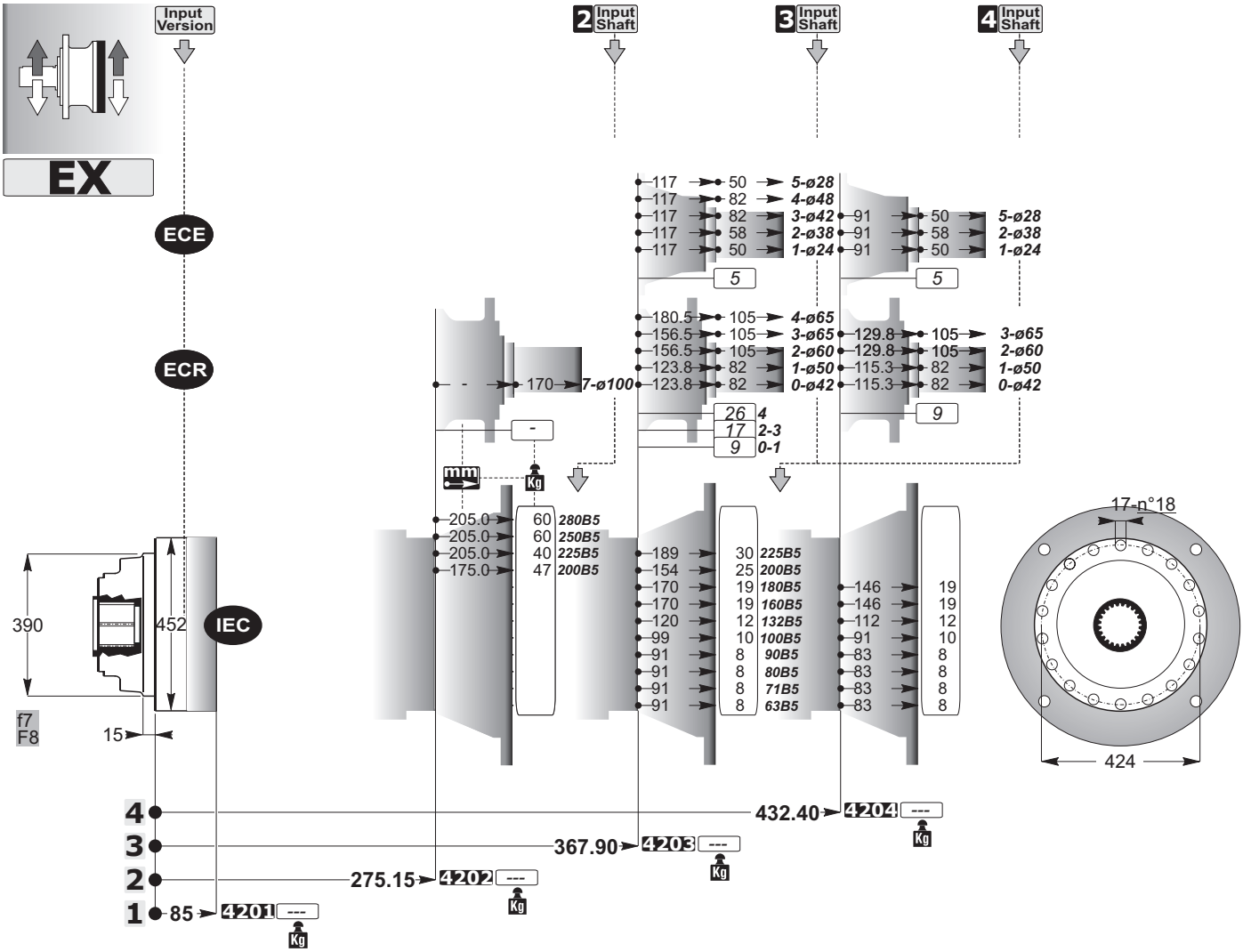
FF

ID

FD

BD





ECE

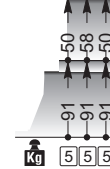
Input Version

ECR

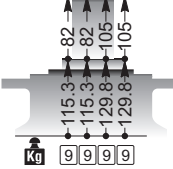
IEC

4 Input Shaft

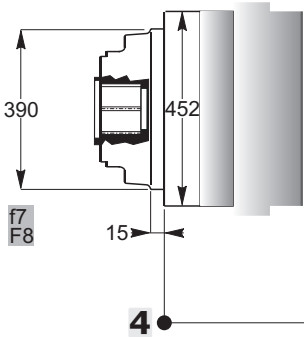
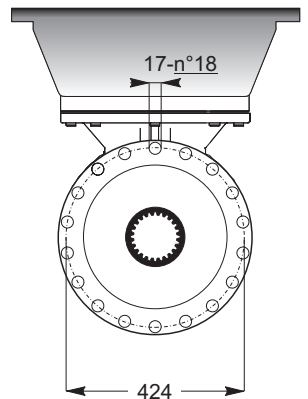
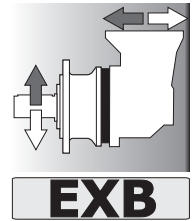
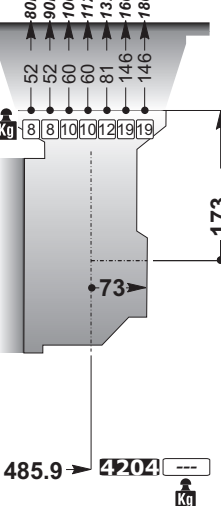
ECE 1 2 5



ECR 0 1 2 3

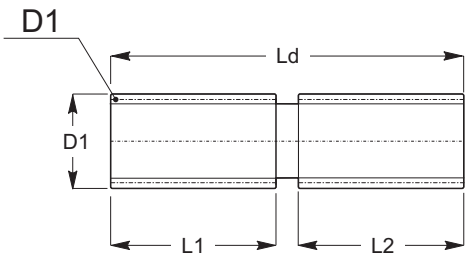


80B5 90B5 100B5 112B5 132B5 160B5 180B5

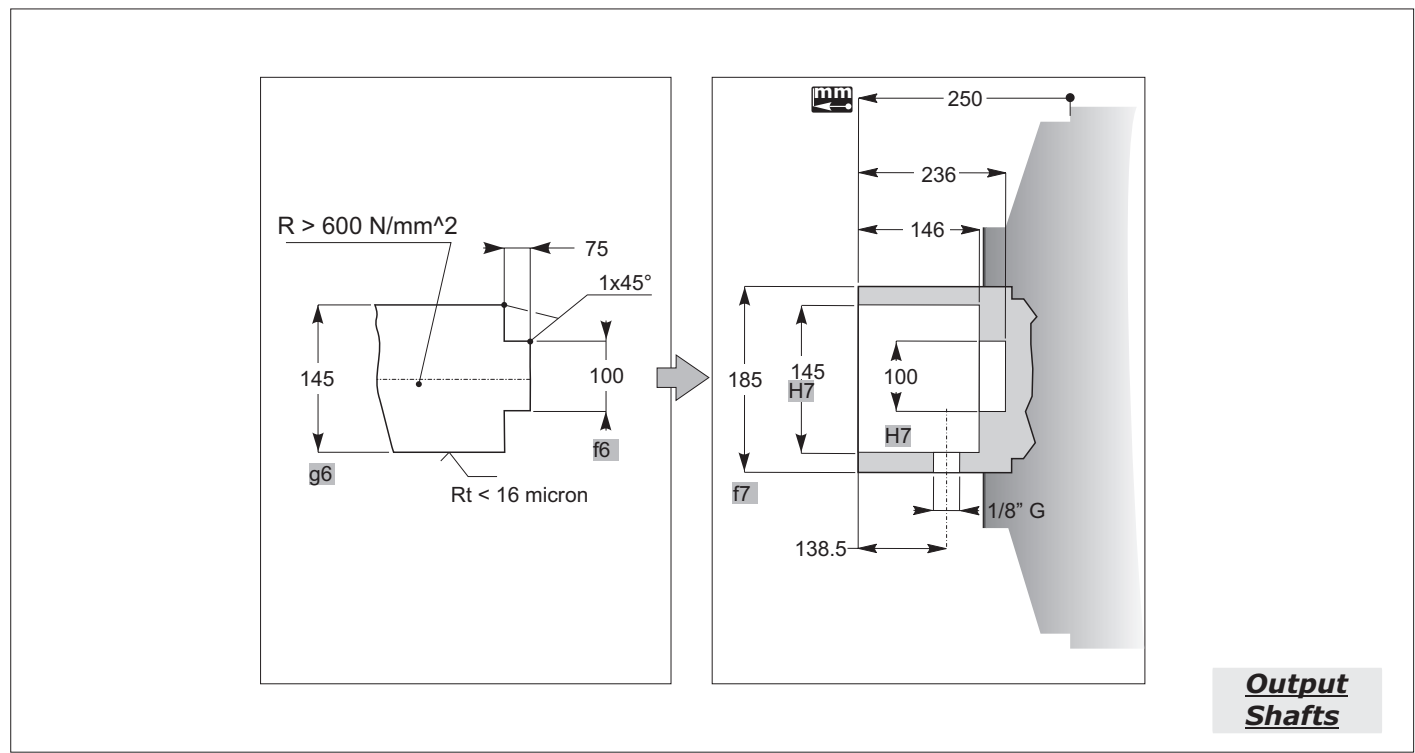
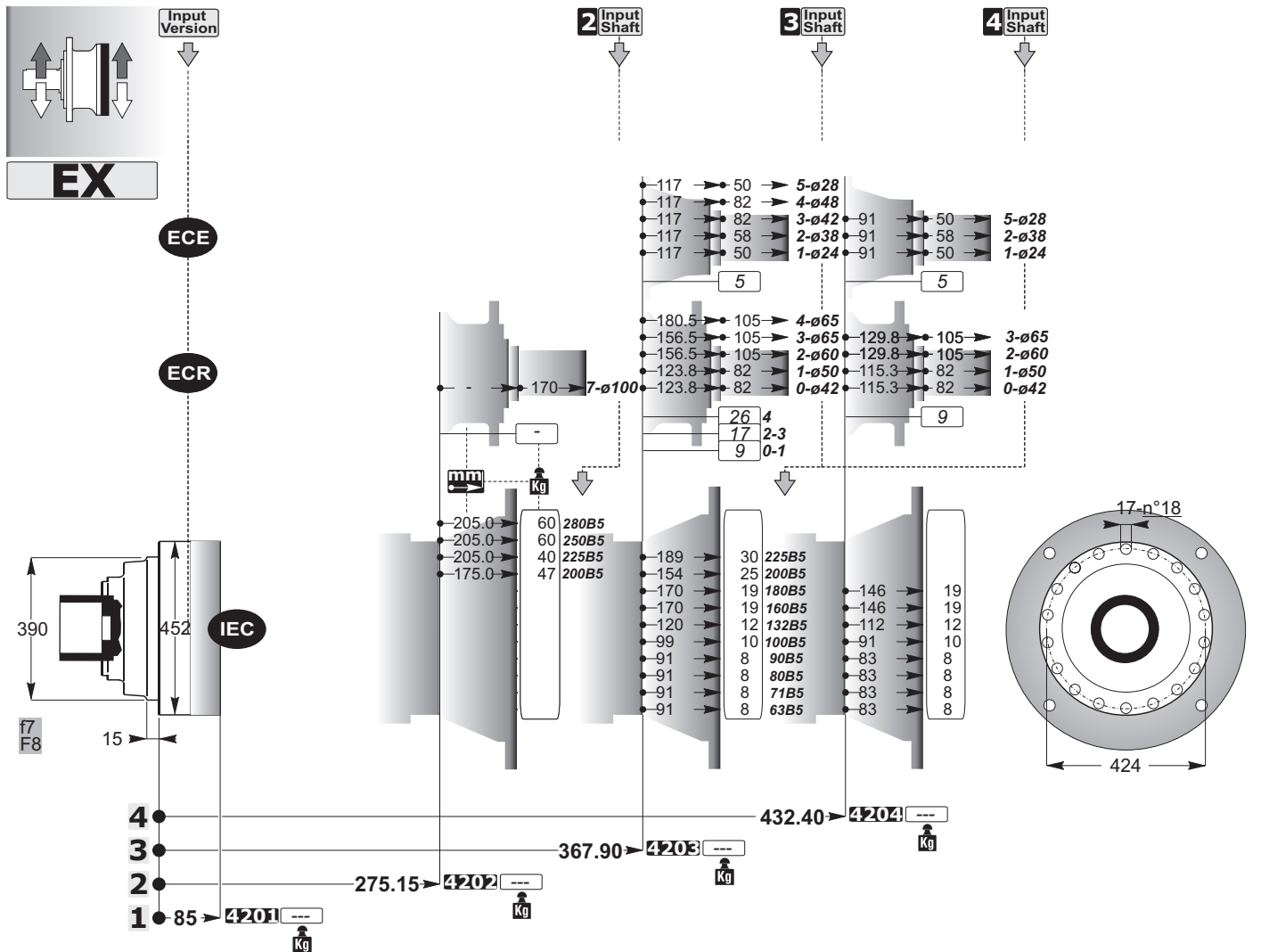


C

SD



Accessories



ECE

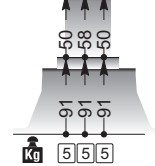
Input Version

ECR

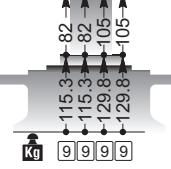
IEC

4 Input Shaft

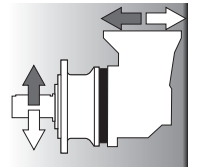
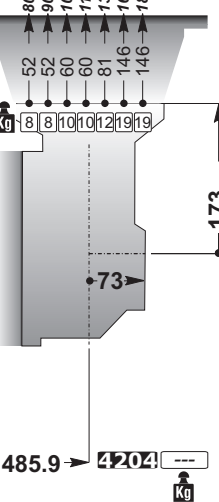
ECE 1 2 5



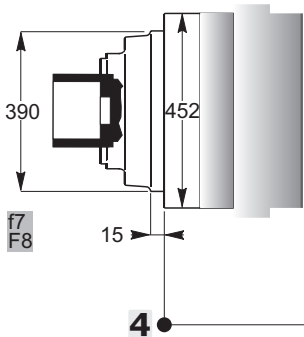
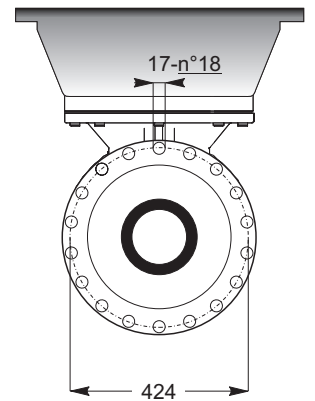
ECR 0 1 2 3



IEC 80B5 90B5 100B5 112B5 132B5 160B5 180B5

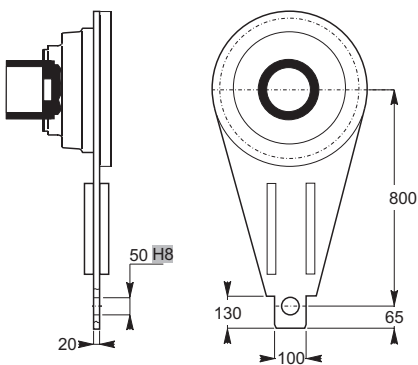


EXB

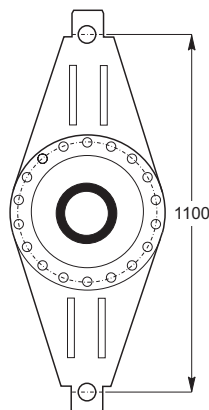


C

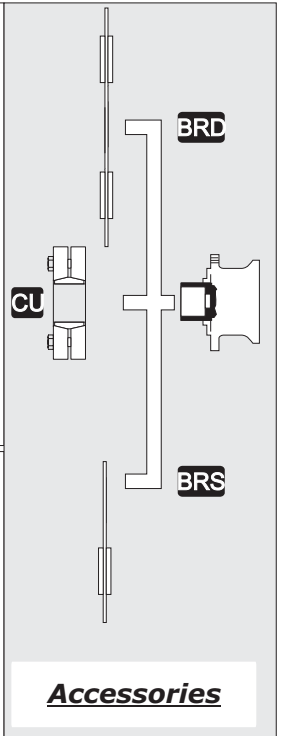
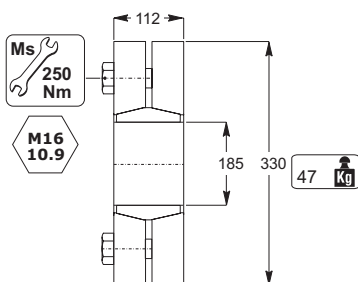
BRS



BRD



CU



Accessories