

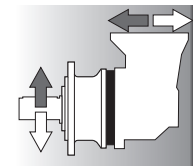
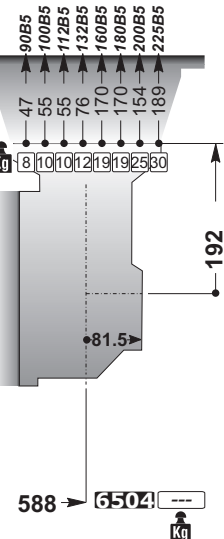
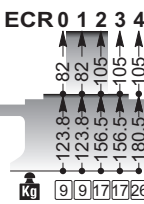
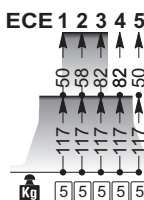
ECE

Input Version

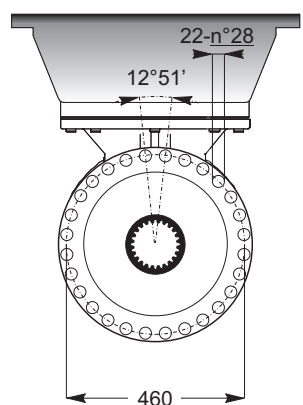
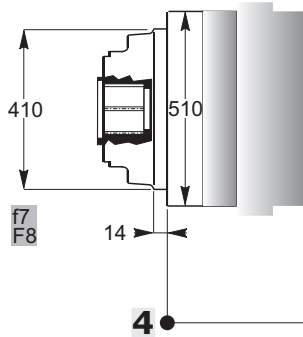
ECR

IEC

4 Input Shaft



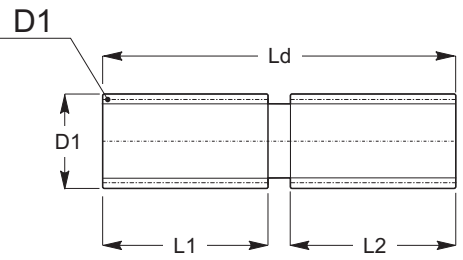
EXB



C

588 → **6504** --- **kg**

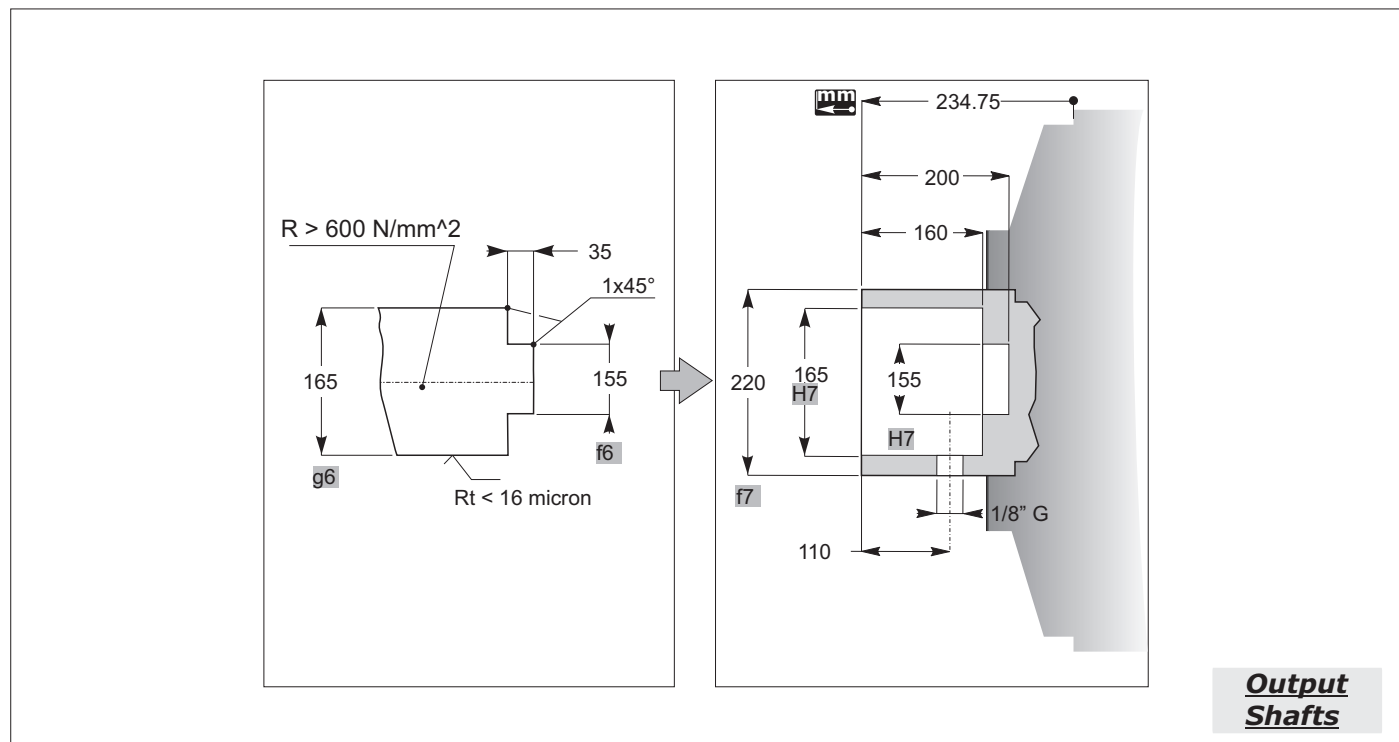
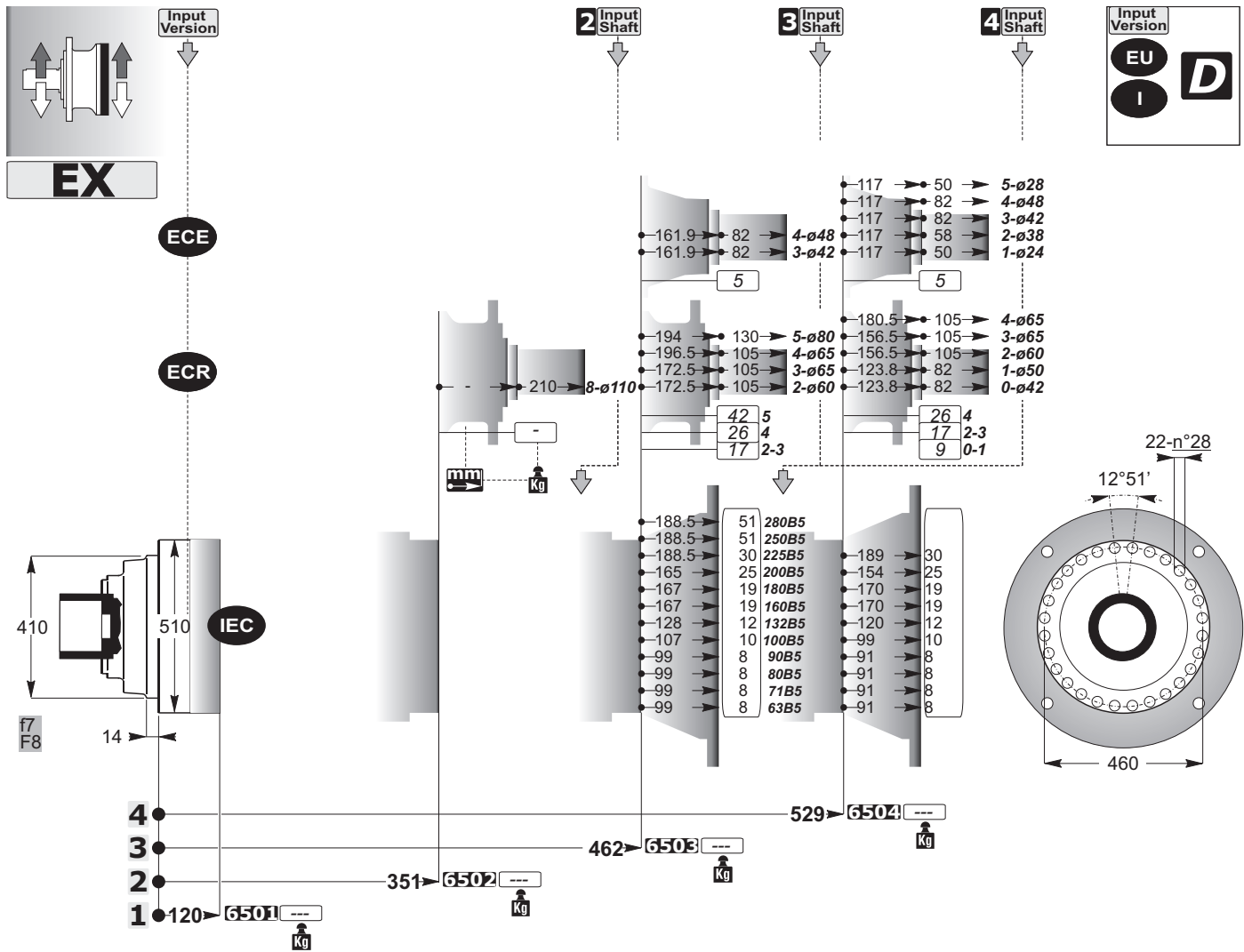
SD



SD



Accessories



ECE

4 Input Shaft

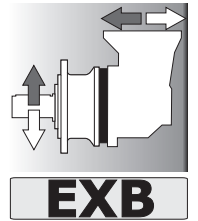
ECE 1 2 3 4 5

Input Version

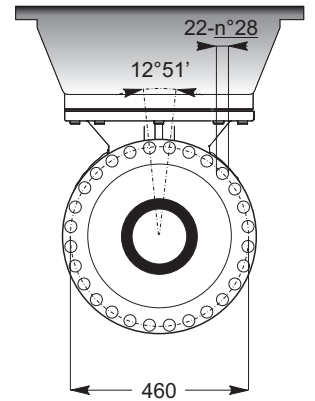
ECR

ECR 0 1 2 3 4

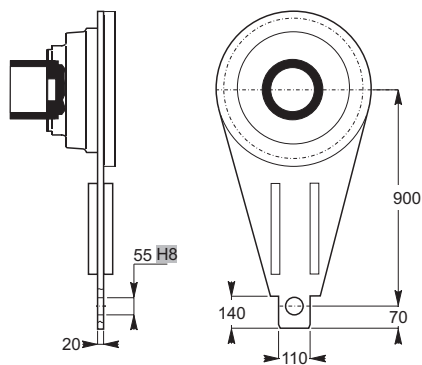
IEC



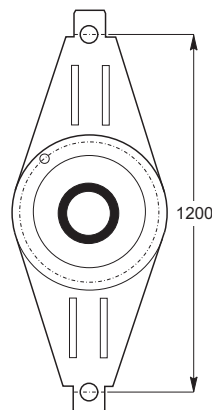
EXB



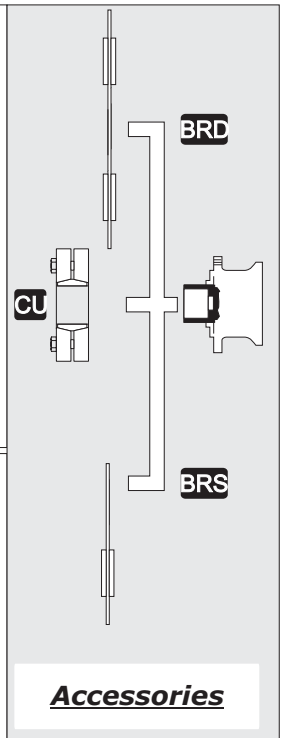
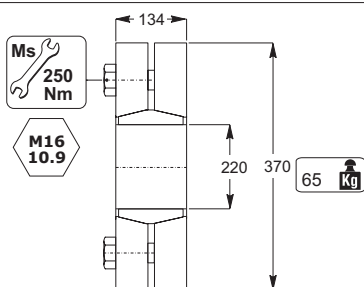
BRS



BRD



CU



Accessories