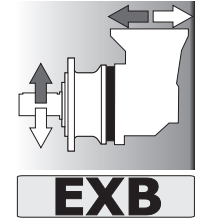
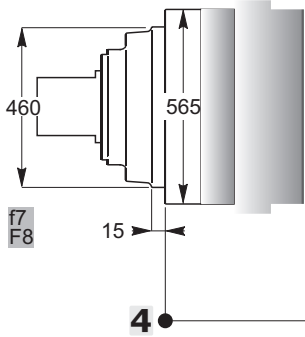
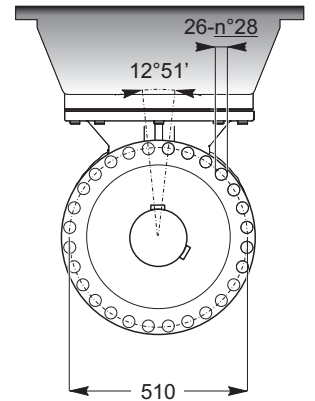
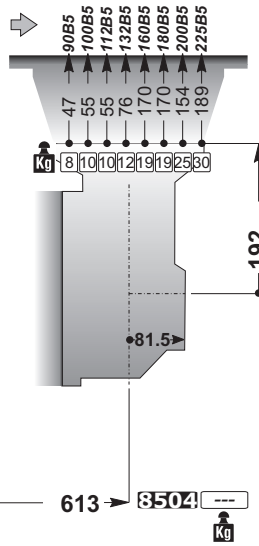
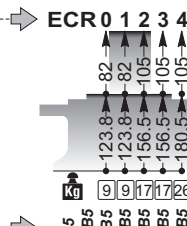
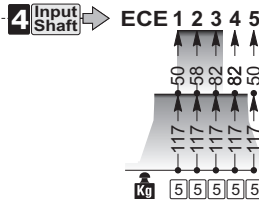


ECE

Input Version

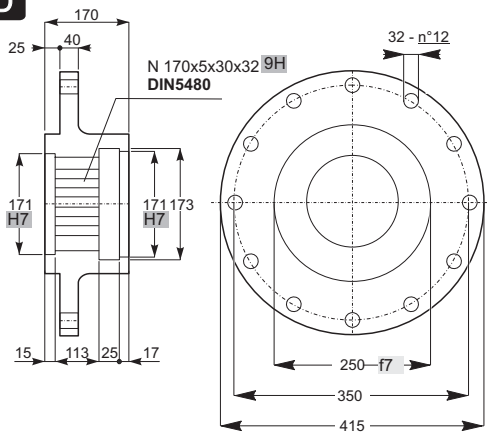
ECR

IEC

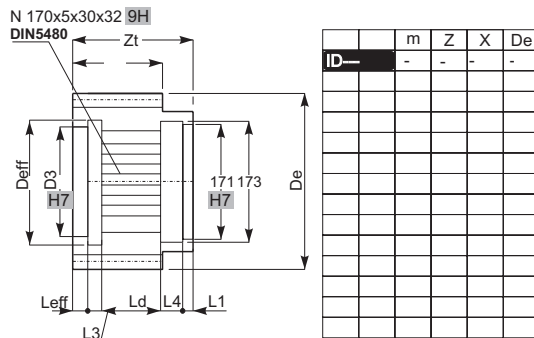


C

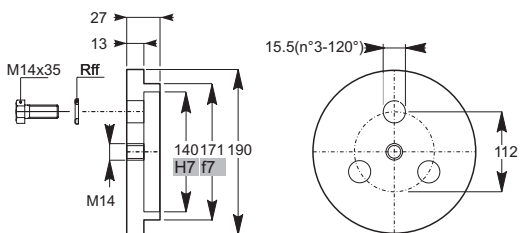
FD



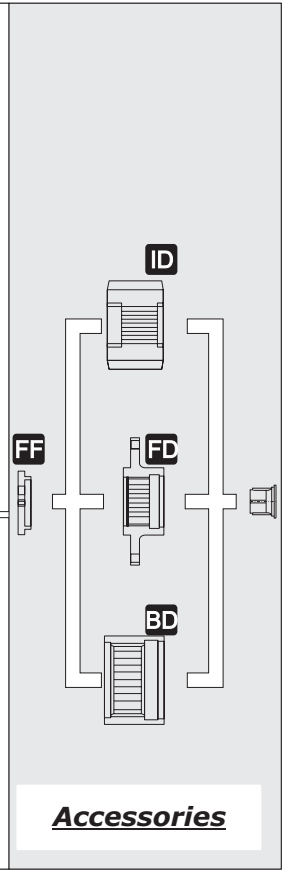
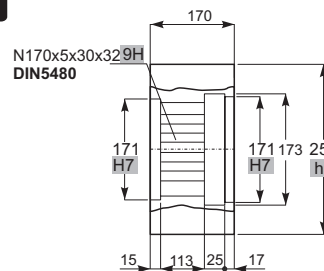
ID

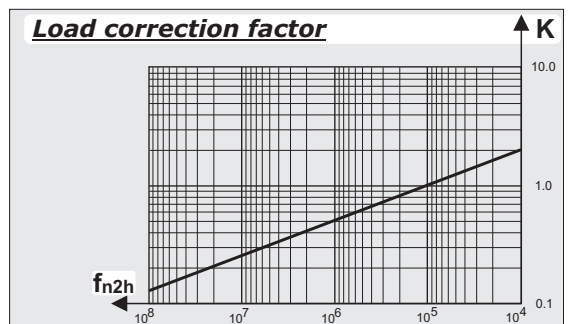
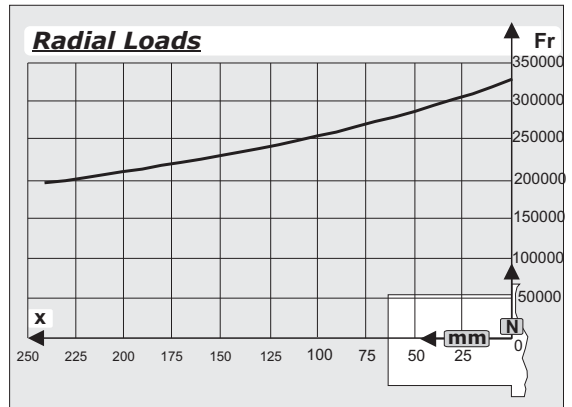
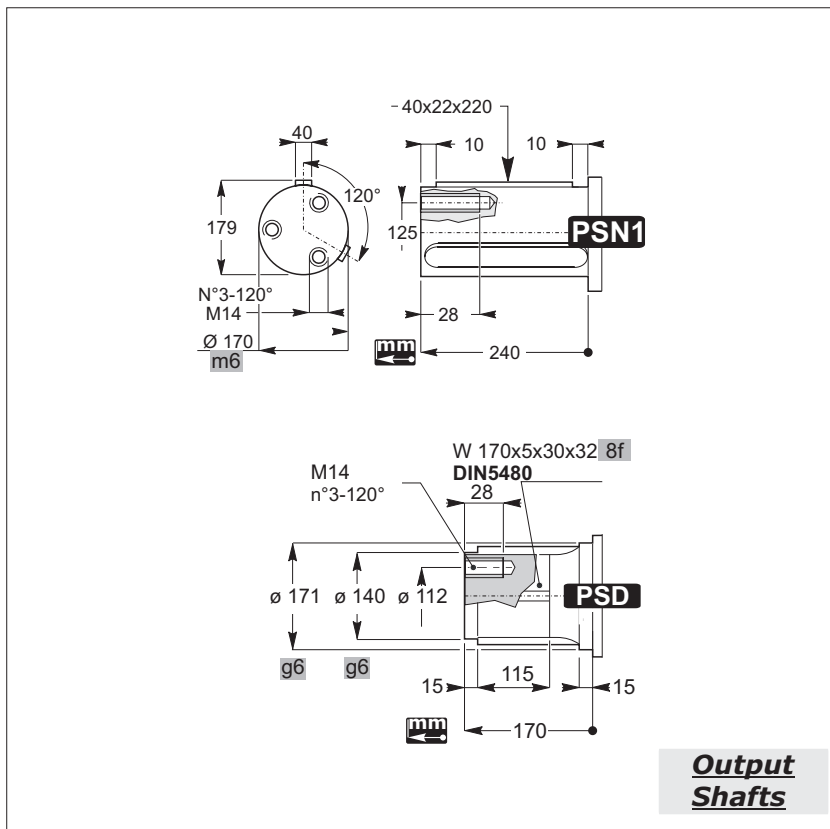
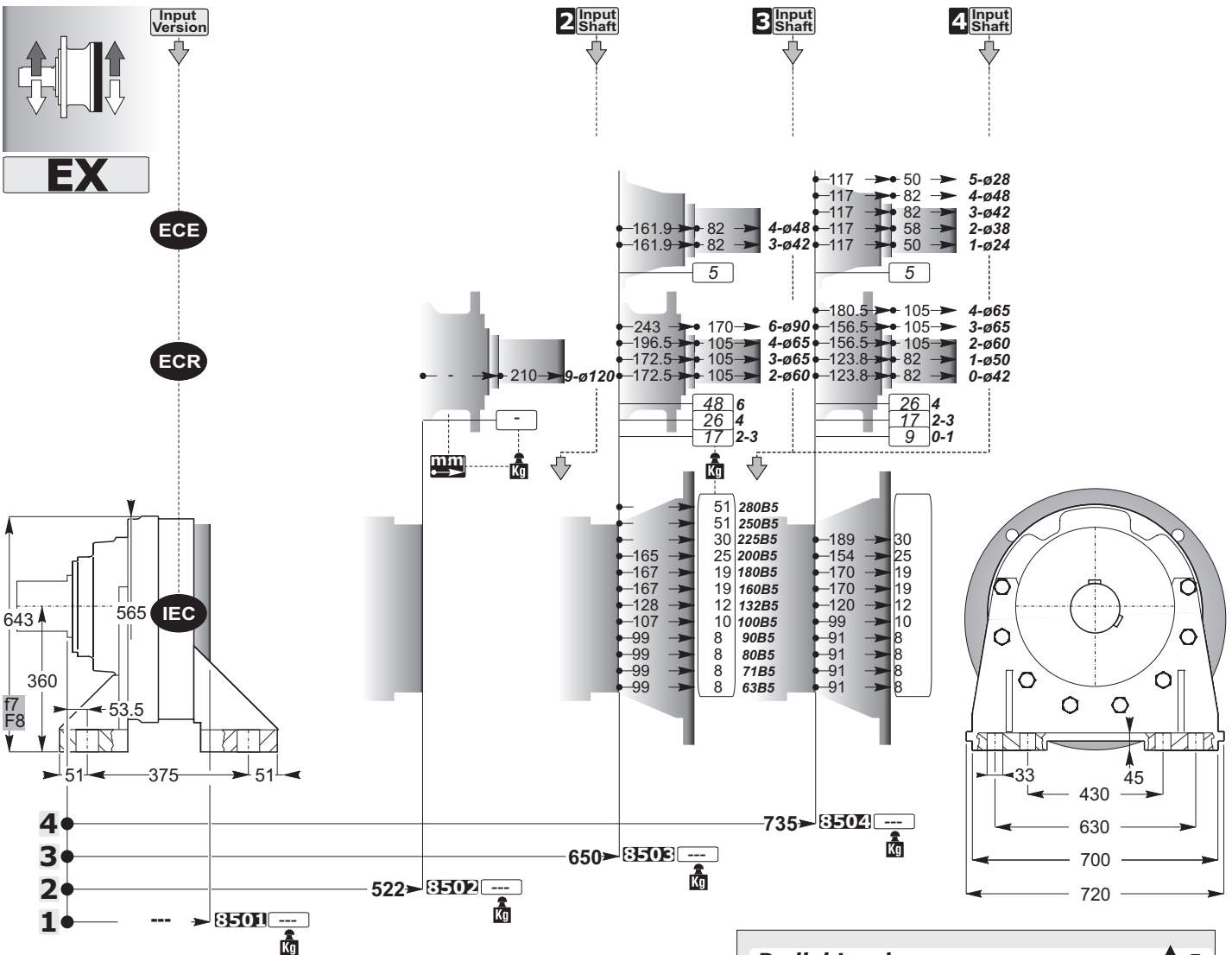


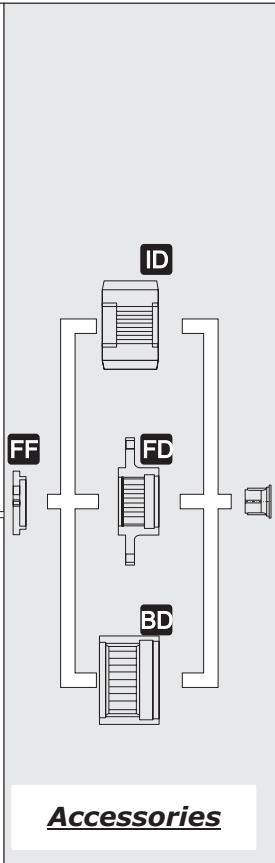
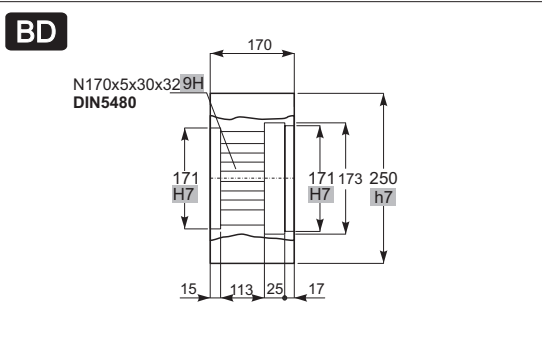
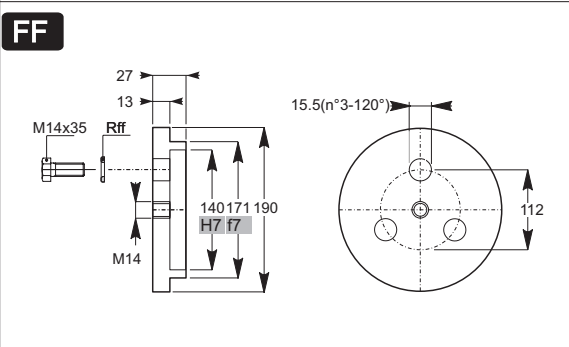
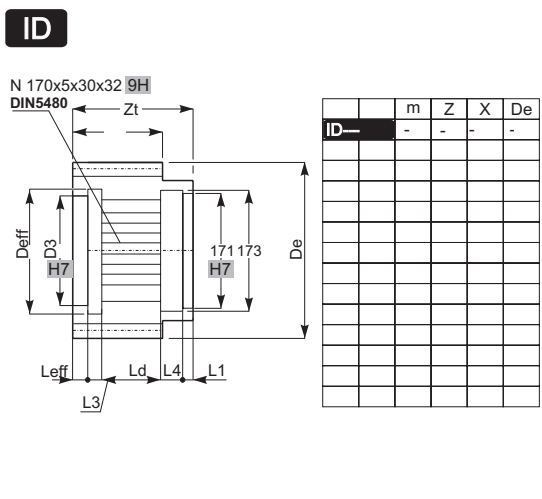
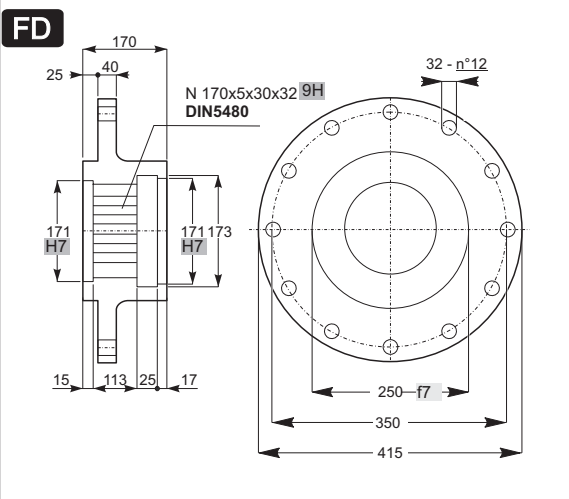
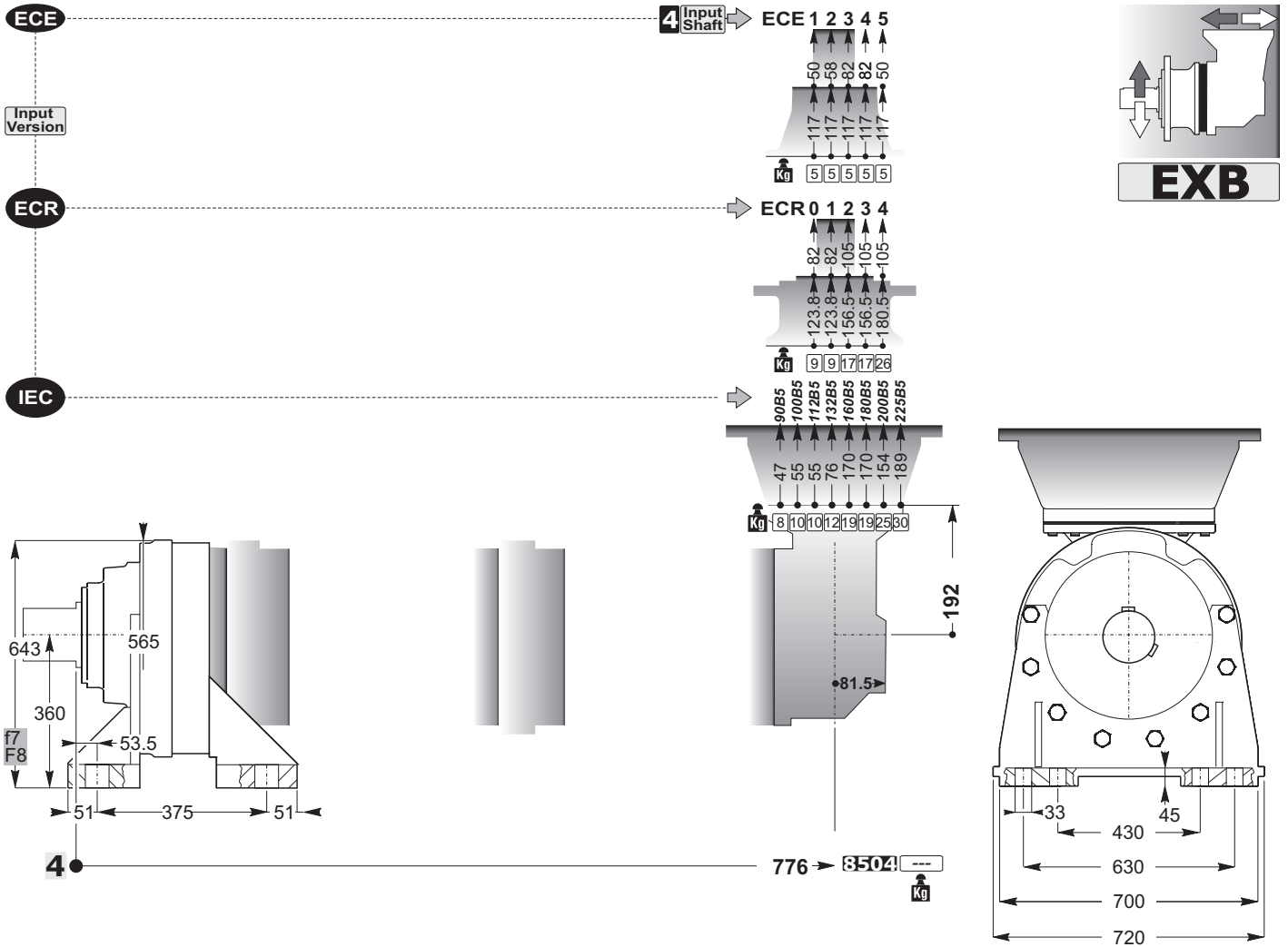
FF

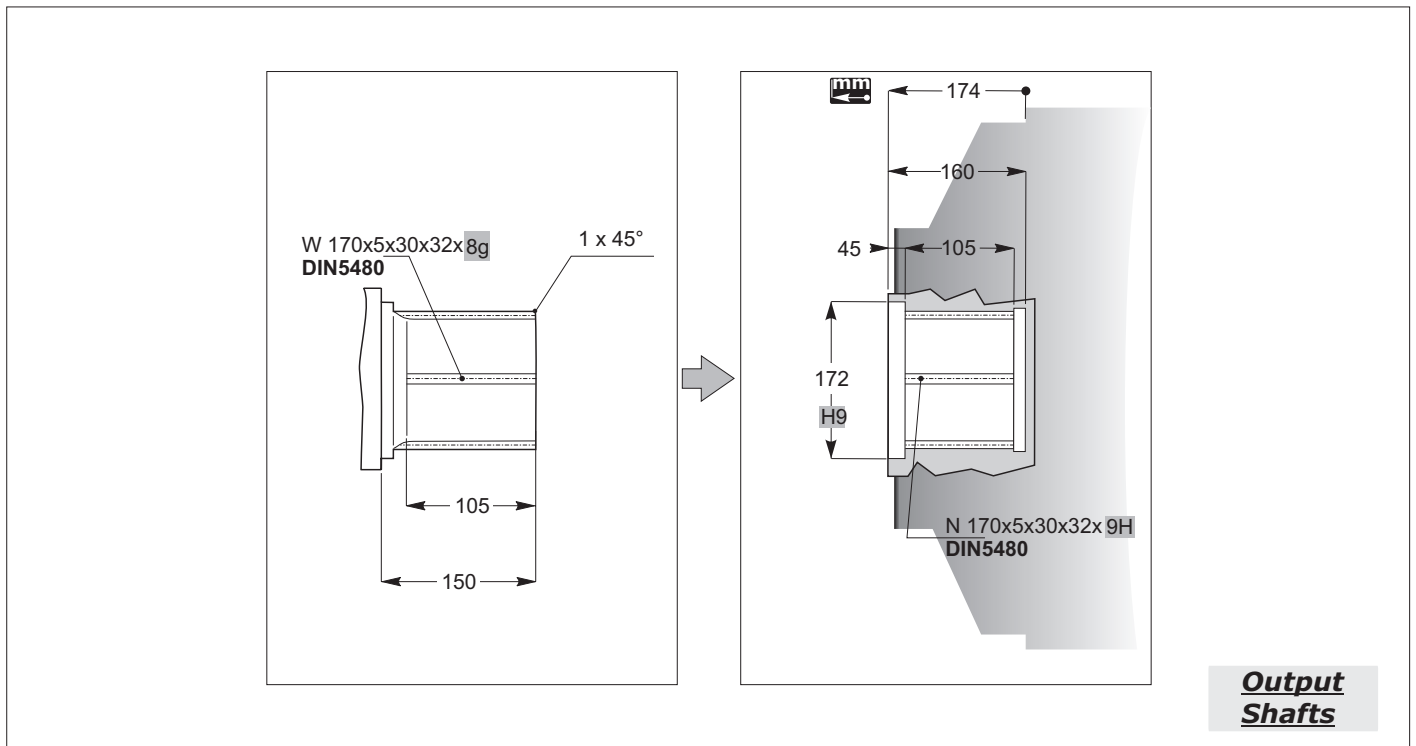
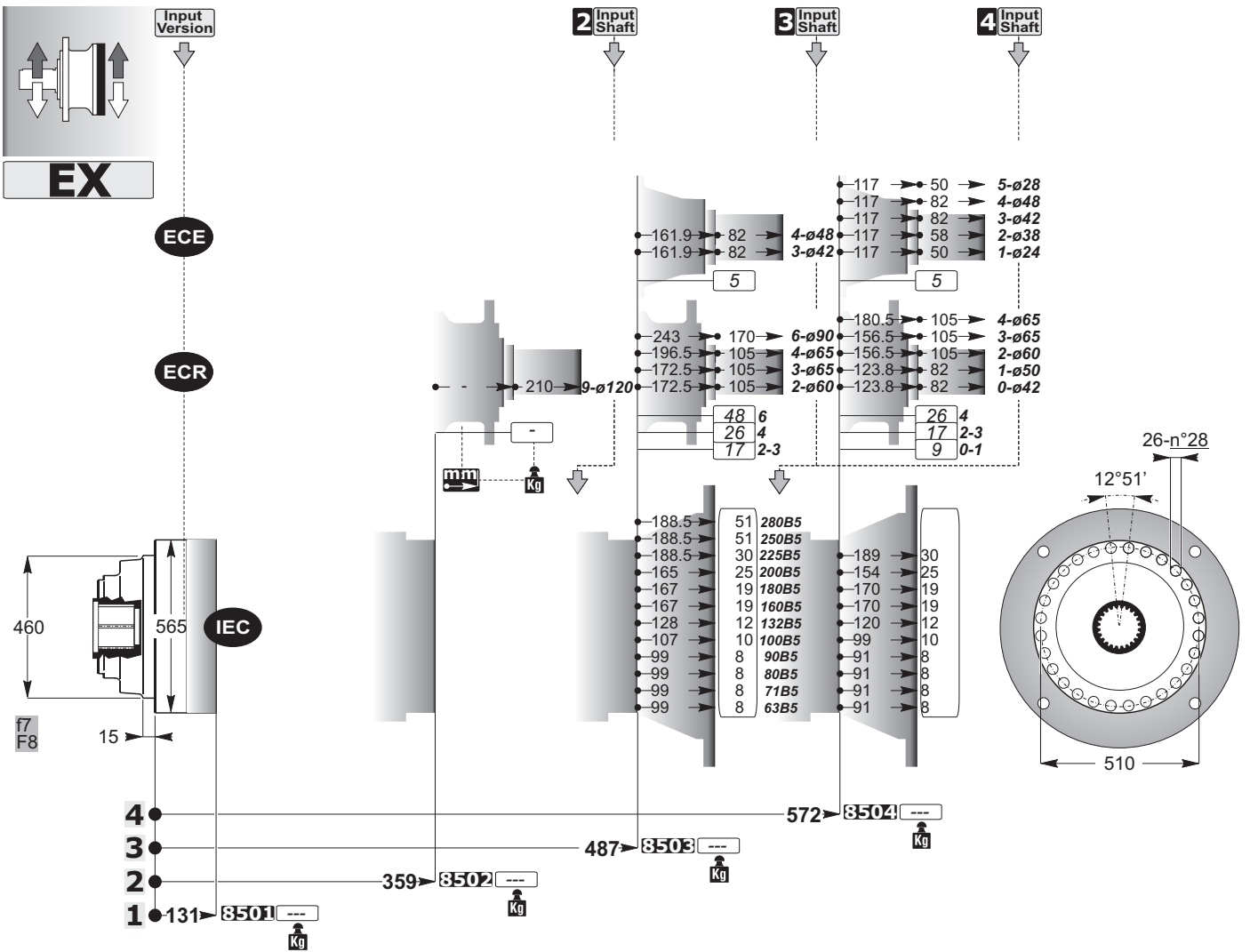


BD









ECE

4 Input Shaft

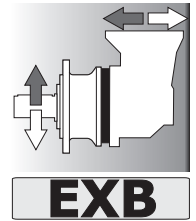
ECE 1 2 3 4 5

Input Version

ECR

ECR 0 1 2 3 4

IEC

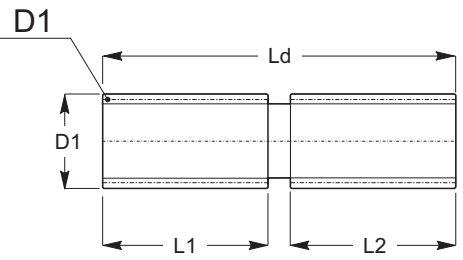


EXB



C

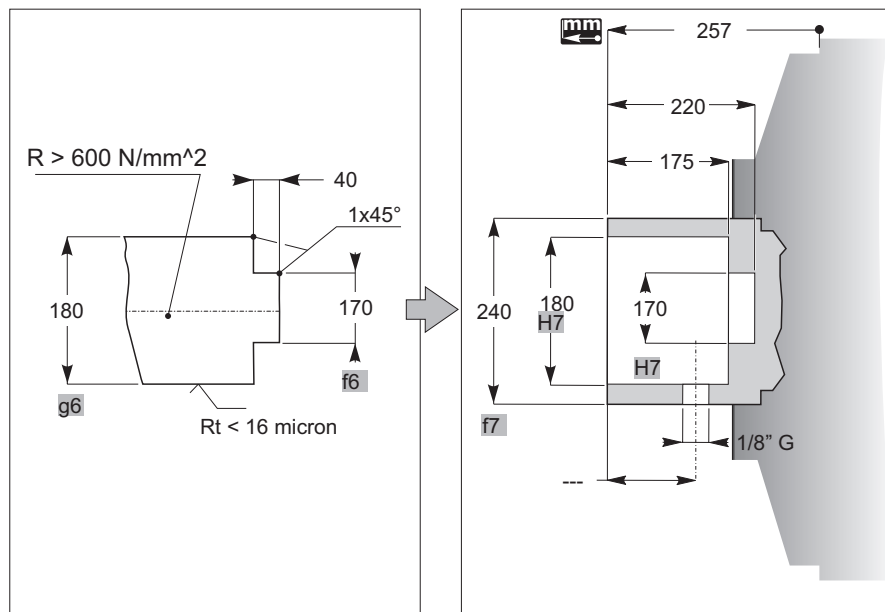
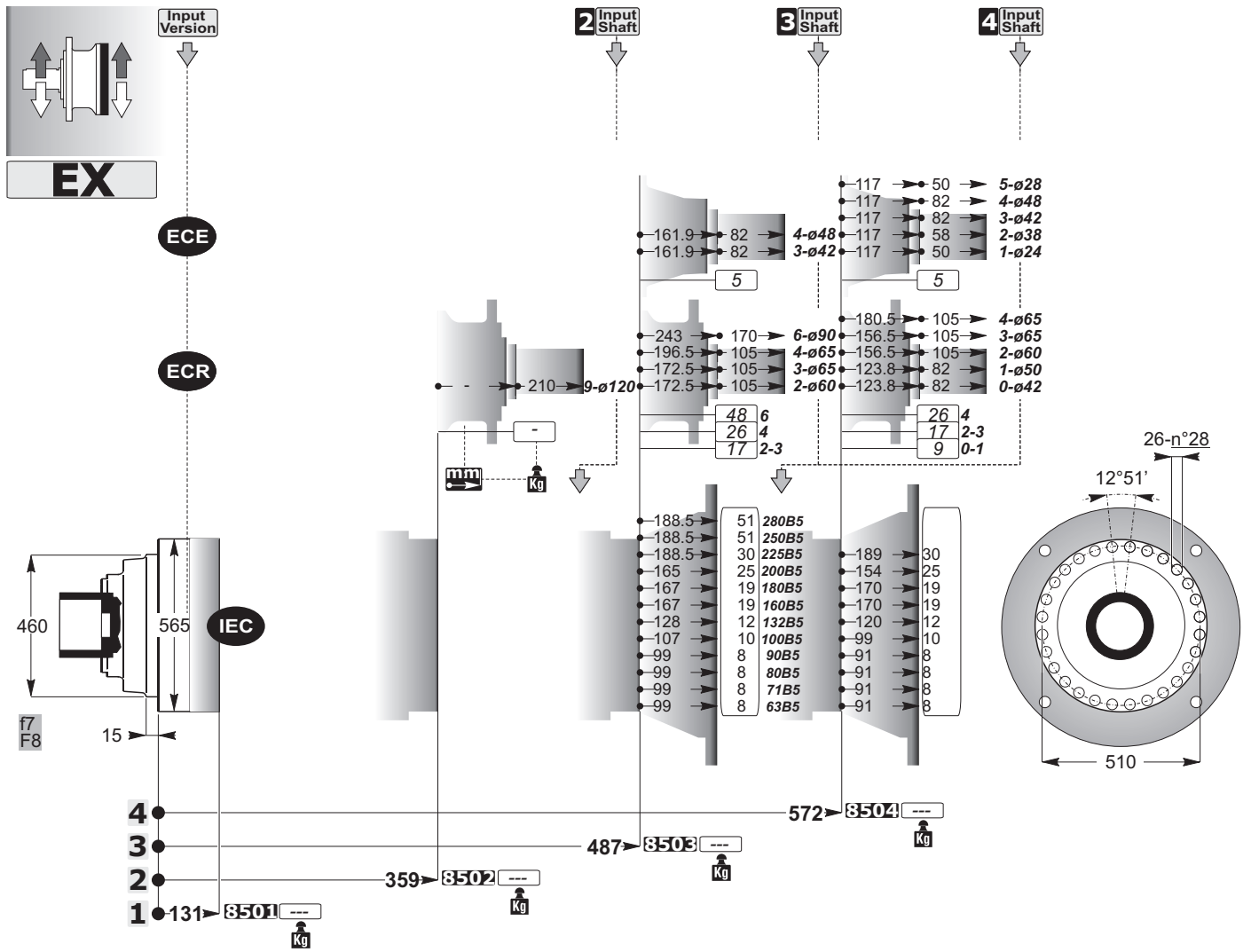
SD



SD



Accessories



Output Shafts

ECE

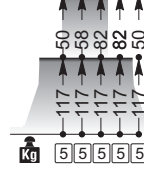
Input Version

ECR

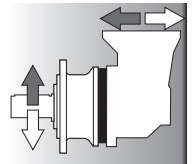
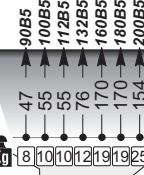
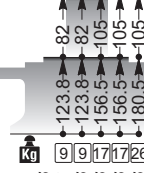
IEC

4 Input Shaft

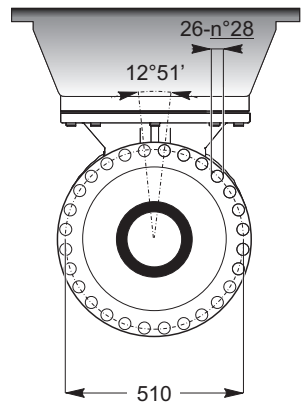
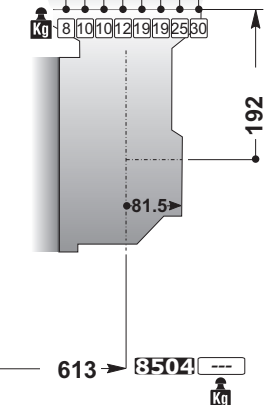
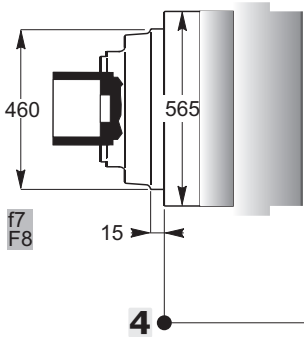
ECE 1 2 3 4 5



ECR 0 1 2 3 4

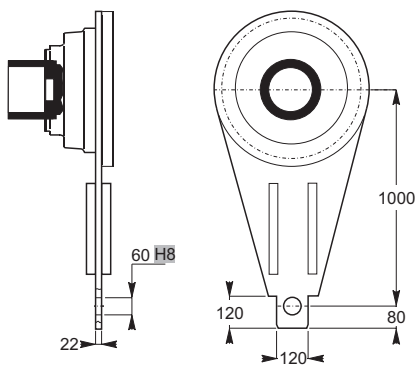


EXB

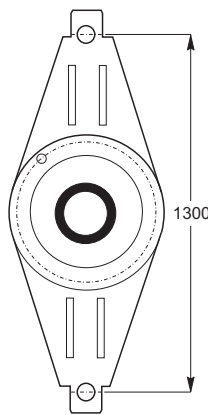


C

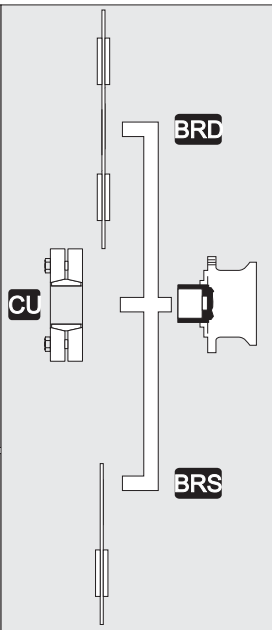
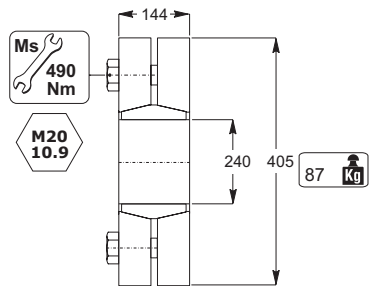
BRS



BRD



CU



Accessories