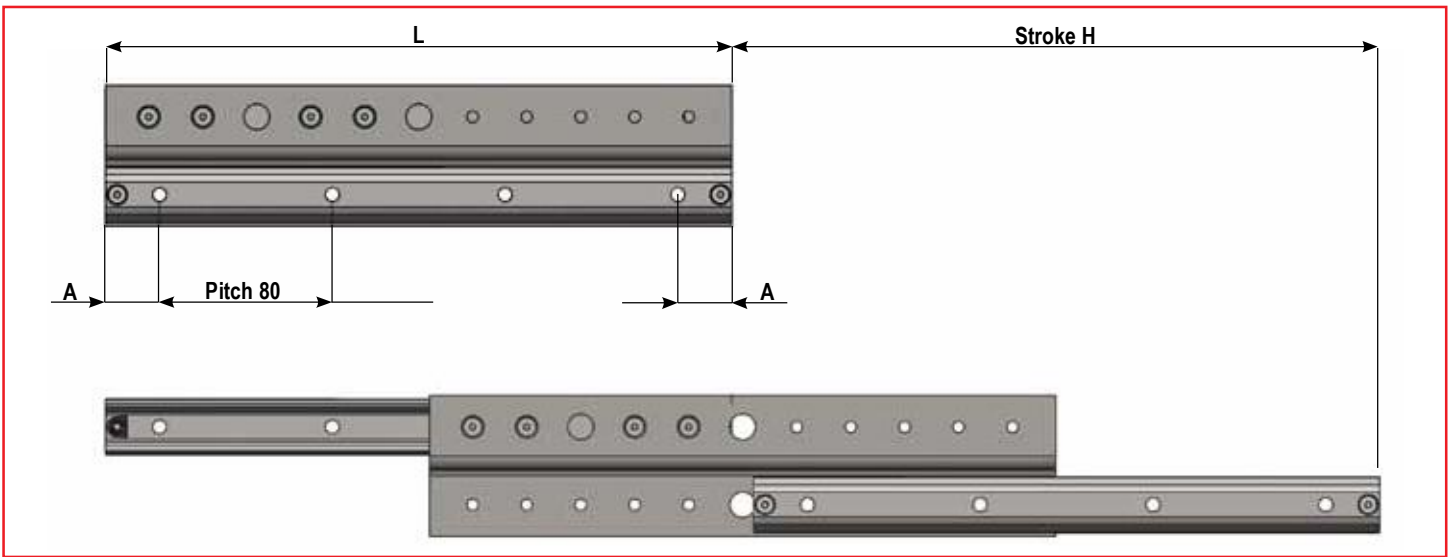
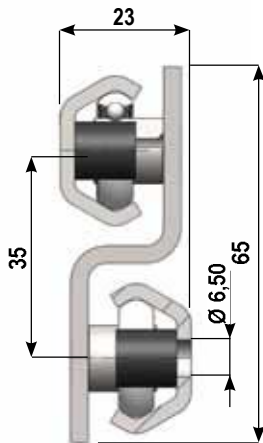


Steel/inox roller telescopic slides TLAZ., TLAX..



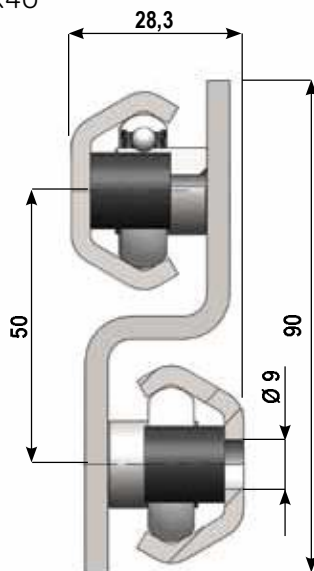
TLAZ26, TLAX26



Weight: 3,5 kg/m

Code	Lenght L (mm)	Stroke H (mm)	A (mm)	N° holes fixing	Load capacity Corad (N)
TLA.26-300	300	300	30	4	320
TLA.26-350	350	350	55	4	400
TLA.26-400	400	400	40	5	457
TLA.26-450	450	450	25	6	500
TLA.26-500	500	500	50	6	533
TLA.26-550	550	550	35	7	560
TLA.26-600	600	600	20	8	581
TLA.26-650	650	650	45	8	600
TLA.26-700	700	700	30	9	615
TLA.26-750	750	750	55	9	628
TLA.26-800	800	800	40	10	640
TLA.26-850	850	850	25	11	650
TLA.26-900	900	900	50	11	658
TLA.26-1000	1000	1000	20	13	664
TLA.26-1100	1100	1100	30	14	609
TLA.26-1200	1200	1200	40	15	562

TLAZ40, TLAX40



Weight: 7 kg/m

Code	Lenght L (mm)	Stroke H (mm)	A (mm)	N° holes fixing	Load capacity Corad (N)
TLA.40-500	500	500	50	6	752
TLA.40-550	550	550	35	7	842
TLA.40-600	600	600	20	8	914
TLA.40-650	650	650	45	8	973
TLA.40-700	700	700	30	9	1024
TLA.40-750	750	750	55	9	1066
TLA.40-800	800	800	40	10	1103
TLA.40-850	850	850	25	11	1135
TLA.40-900	900	900	50	11	1163
TLA.40-1000	1000	1000	20	13	1210
TLA.40-1100	1100	1100	30	14	1158
TLA.40-1200	1200	1200	40	15	1072
TLA.40-1300	1300	1300	50	16	998
TLA.40-1400	1400	1400	20	18	934
TLA.40-1500	1500	1500	30	19	877
TLA.40-1600	1600	1600	40	20	827

The TQAX are complete INOX slides, same dimensions and performances as standard steel version TQAZ . Load capacity indicated for single slide.