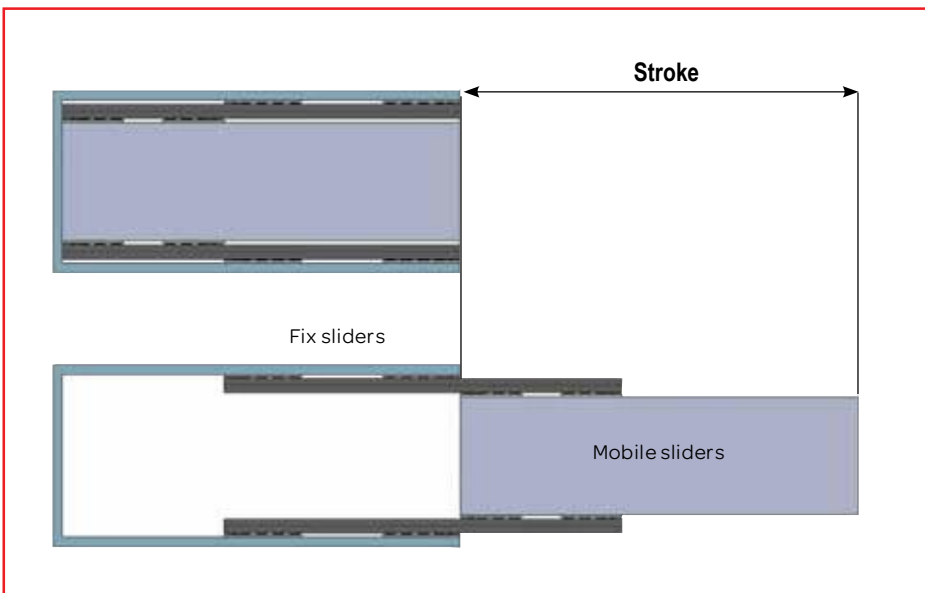


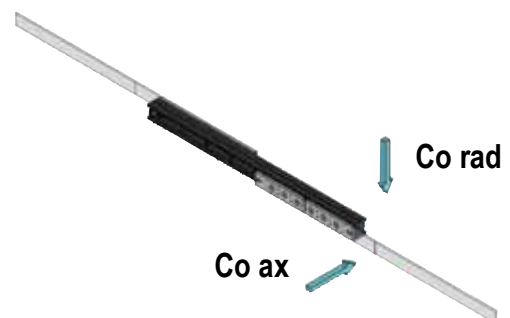
The nominal stroke H is obtained by placing the fixed and mobile sliders spacing them at the distance T.



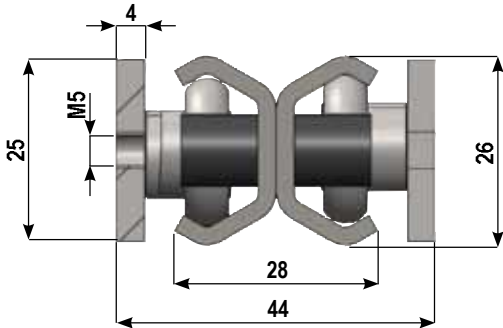
The slide must be installed with the mark "Up-side" facing upwards.

The sliders fixed to structure are marked "Fix-sliders" while when once fixed to mobile part are marked "Mobile sliders". When used in pair, the same slide can be installed left or right, just by rotating the slide 180° degrees horizontally, keeping the mark "Up-side" facing upwards.

Fixing hole position of sliders				
Type	A	B	D	E
TQA.26	14	25	30	28
TQA.40	0	7,5	120	0



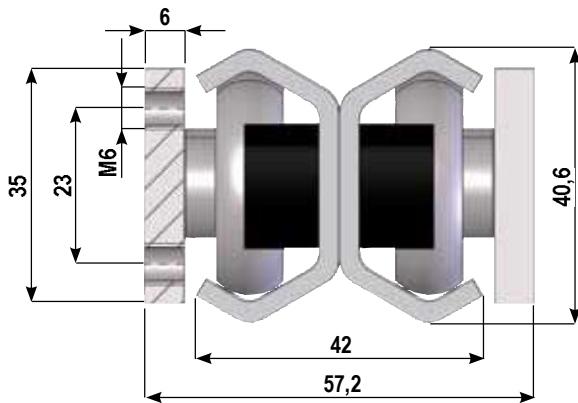
TQAZ26, TQAX26



Weight of the 4 sliders: 0,4 kg
Weight of the rail: 1,5 kg/m

Code	Lenght L (mm)	Stroke H (mm)	Distance sliders M (mm)	T (mm)	Load capacity Co rad (N)	Load capacity Co ax (N)
TQA.26-400	400	400	172	62	417	208
TQA.26-450	450	450	197	87	465	232
TQA.26-500	500	500	222	112	503	251
TQA.26-550	550	550	247	137	533	262
TQA.26-600	600	600	272	162	513	243
TQA.26-650	650	650	297	187	479	227
TQA.26-700	700	700	322	212	450	213
TQA.26-750	750	750	347	237	424	201
TQA.26-800	800	800	372	262	400	190
TQA.26-850	850	850	397	287	379	180
TQA.26-900	900	900	422	312	361	171
TQA.26-1000	1000	1000	472	362	328	156
TQA.26-1100	1100	1100	522	412	301	143
TQA.26-1200	1200	1200	572	462	278	132

TQAZ40, TQAX40



Weight of the 4 sliders: 1,6 kg
Weight of the rail: 3,2 kg/m

Code	Lenght L (mm)	Stroke H (mm)	Distance sliders M (mm)	T (mm)	Load capacity Co rad (N)	Load capacity Co ax (N)
TQA.40-600	600	600	300	45	991	495
TQA.40-650	650	650	325	70	1043	521
TQA.40-700	700	700	350	95	1087	543
TQA.40-750	750	750	375	120	1125	525
TQA.40-800	800	800	400	145	1157	497
TQA.40-850	850	850	425	170	1113	471
TQA.40-900	900	900	450	195	1059	449
TQA.40-1000	1000	1000	500	245	966	409
TQA.40-1100	1100	1100	550	295	888	376
TQA.40-1200	1200	1200	600	345	821	348
TQA.40-1300	1300	1300	650	395	764	323
TQA.40-1400	1400	1400	700	445	714	302
TQA.40-1500	1500	1500	750	495	670	284
TQA.40-1600	1600	1600	800	545	632	267

The TQAX are complete INOX slides, same dimensions and performances as standard steel version TQAZ. Load capacity indicated for single slide.