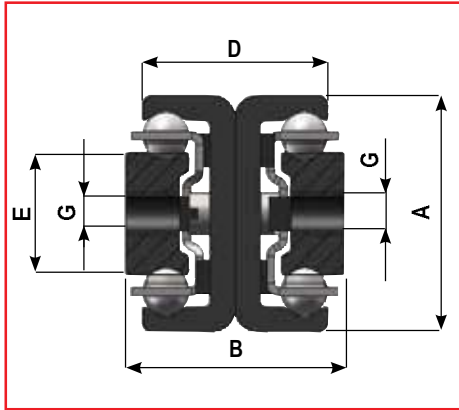
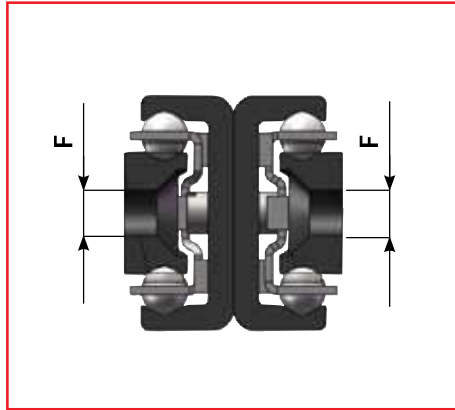


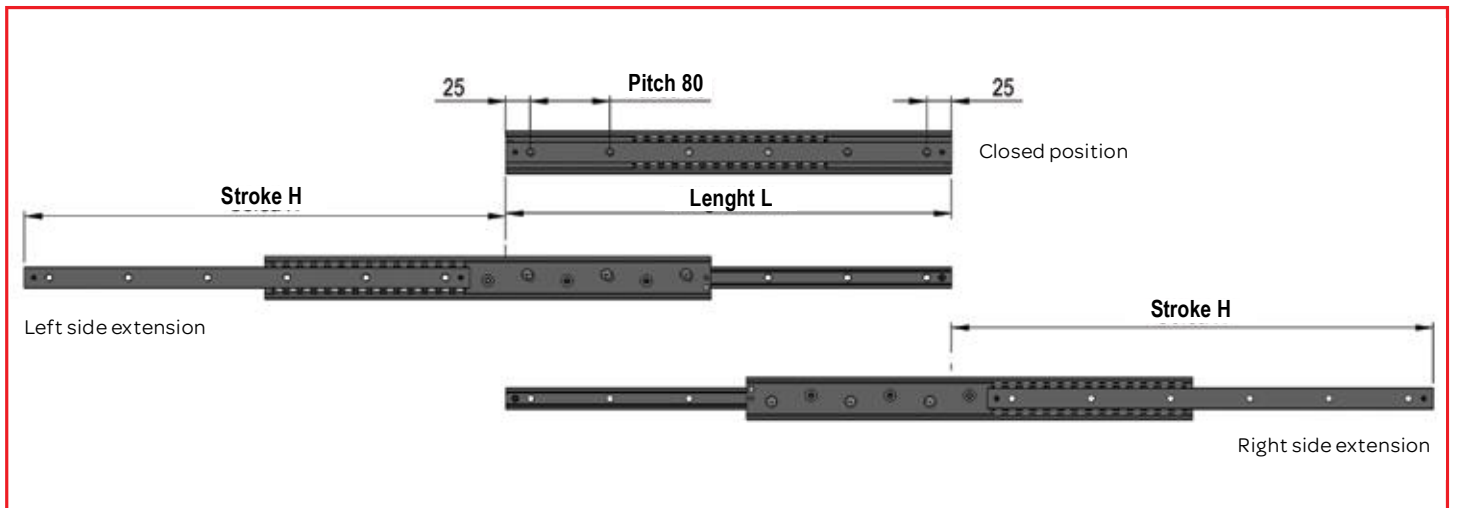
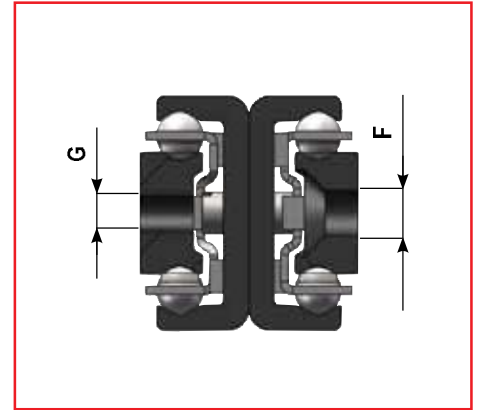
TSQ. standard  
Threaded holes both sides.



TSQ.S version  
C'sunk fixing holes both sides.



TSQ.M version  
C'sunk fixing holes and other side  
with threaded fixing holes.



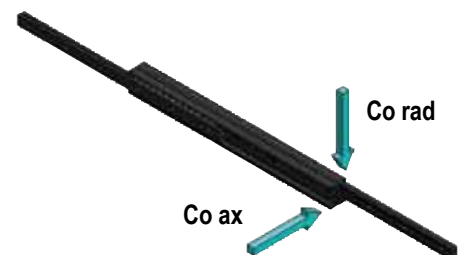
Note: The slide is provided with a set screw which limits the stroke of the movable sliders in one direction for a stroke equal to H, by removing the screw it is possible to move the sliders in the opposite direction to obtain a double stroke equal to 2H.

Code	A (mm)	B (mm)	D (mm)	E (mm)	G (mm)	F (mm)
TSQ.28.	28	26	22	14,5	M5	Hole for screw M5 DIN7991
TSQ.43.	43	44	36,6	21	M8	Hole for screw M8 DIN7991

The slide TSQX offers high corrosion resistance, with all components and intermediate element in INOX, except the rails. The TSQX have the same dimensions and performance as standard version TSQ. Could be provided the versions G1 with light play and the version P1 with light preload.

Order code ex. :  
TSQ28-610 standard slide  
TSQX28-610-P1 slide with high corrosion resistance and preload P1  
TSQX28-610 slide with high corrosion resistance

The nominal load capacities  $Co_{rad}$  are all based for load related to centered load position P, in the middle of the single slide. For applications with load in other positions, please refer to page 74. Load capacities are indicated per single slide. For flexion f in relation to applied load and its position, please refer to page 76.



Code	Lenght L (mm)	Stroke H (mm)	Dynamic coefficient C (N)	Load capacity Co rad (N)	Load capacity Co ax (N)	Weight (kg)
TSQ.28.-130	130	136	392	259	151	0,4
TSQ.28.-210	210	224	685	454	265	0,7
TSQ.28.-290	290	312	979	649	379	1,1
TSQ.28.-370	370	400	1273	844	358	1,4
TSQ.28.-450	450	470	1759	1173	316	1,7
TSQ.28.-530	530	558	2051	1037	266	2
TSQ.28.-610	610	628	2547	944	242	2,3
TSQ.28.-690	690	716	2839	825	211	2,6
TSQ.28.-770	770	786	3340	765	196	2,9
TSQ.28.-850	850	874	3630	685	175	3,2
TSQ.28.-930	930	944	4134	643	165	3,5
TSQ.28.-1010	1010	1032	4422	585	150	3,8
TSQ.28.-1090	1090	1120	4712	537	138	4,1
TSQ.28.-1170	1170	1190	5217	511	131	4,4

Code	Lenght L (mm)	Stroke H (mm)	Dynamic coefficient C (N)	Load capacity Co rad (N)	Load capacity Co ax (N)	Weight (kg)
TSQ.43.-210	210	232	968	636	410	1,9
TSQ.43.-290	290	308	1657	1098	709	2,7
TSQ.43.-370	370	412	1891	1246	804	3,4
TSQ.43.-450	450	488	2583	1710	1104	4,2
TSQ.43.-530	530	564	3289	2187	1105	4,9
TSQ.43.-610	610	640	4005	2670	992	5,7
TSQ.43.-690	690	716	4727	3158	901	6,4
TSQ.43.-770	770	820	4924	2733	774	7,2
TSQ.43.-850	850	896	5642	2532	717	7,9
TSQ.43.-930	930	972	6363	2359	668	8,7
TSQ.43.-1010	1010	1048	7088	2208	625	9,4
TSQ.43.-1090	1090	1124	7816	2075	587	10,2
TSQ.43.-1170	1170	1200	8545	1957	554	10,9
TSQ.43.-1250	1250	1276	9277	1852	524	11,7
TSQ.43.-1330	1330	1380	9450	1690	478	12,4
TSQ.43.-1410	1410	1456	10178	1611	456	13,2
TSQ.43.-1490	1490	1532	10908	1539	436	13,9
TSQ.43.-1570	1570	1608	11639	1473	417	14,7
TSQ.43.-1650	1650	1684	12371	1413	400	15,4
TSQ.43.-1730	1730	1760	13104	1357	384	16,2
TSQ.43.-1810	1810	1836	13838	1306	370	16,9
TSQ.43.-1890	1890	1940	14001	1223	346	17,7
TSQ.43.-1970	1970	2016	14733	1181	334	18,4